



## **Excellent Integrated System Limited**

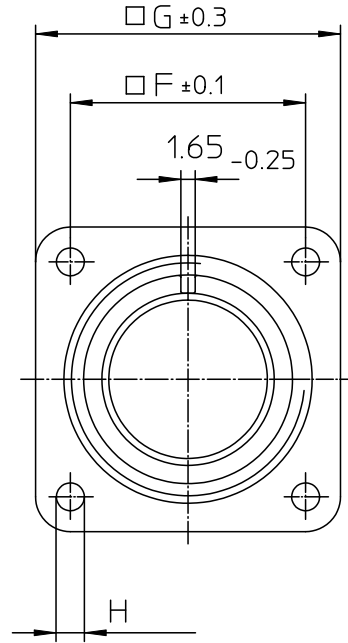
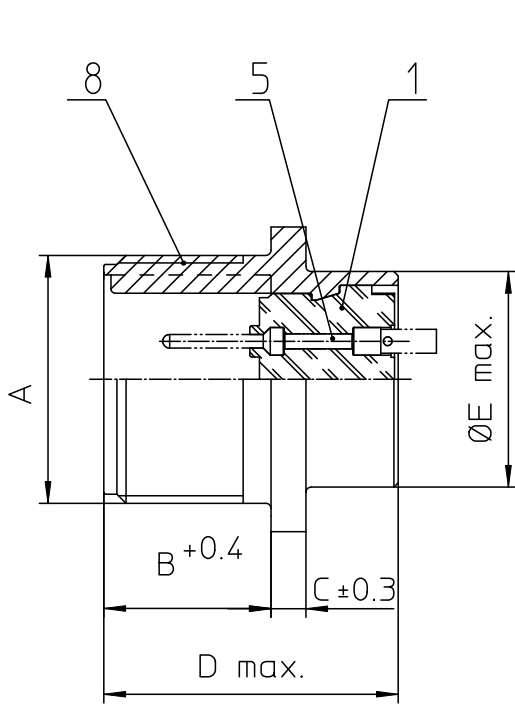
Stocking Distributor

Click to view price, real time Inventory, Delivery & Lifecycle Information:

[ITT Cannon, LLC](#)  
[CA3102E22-14PF80A206](#)

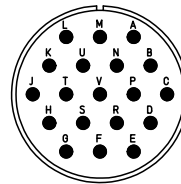
For any questions, you can email us directly:

[sales@integrated-circuit.com](mailto:sales@integrated-circuit.com)



NO.	MASSE / DIMENSION
A	1 3/8-18NEF-2A
B	19
C	4
D	34.2
E	32.2
F	31.8
G	41
H	3.1

NO.	BESCHREIBUNG / DESCRIPTION
1	ISOLIERKÖRPER STIFT / INSULATOR PIN
5	KONTAKTSTIFT / CONTACT PIN
8	DOSENGEHÄUSE / SHELL



Material Specification:	
Shell Material:	Aluminium alloy
Shell Plating:	Black Zinc Cobalt (conductive)
Insulator Material:	Neoprene
Contact Material:	Copper alloy
Contact Plating:	Hard silver

Note: Due to an automatic nomenclature system, numbers generated may not be sequential.
Specification and Dimensions subject to change Drawings illustrate normal insulator positioning

<p><b>all dimensions are in mm</b>  <small>Dimensions without tolerance indications are general tolerances in acc. with DIN7168m</small></p> <p><b>ITT</b>  <small>Engineered for life        ITT CANNON SYSTEMS        31-7700 Westchester Avenue</small></p> <p>© All rights reserved. Reproduction or issue to third in any form without prior written authorization of ITT Cannon</p>	<p>description: CA3102E22-14P-F80-A206          Box mounting receptacle</p> <p>AWG Crimp / Pin / Layout: 22-14</p>	<p>drawing for: CUSTOMER</p> <p>page: 1/1          revision: 377.3, Jul 16</p>
---	--	--