



Excellent Integrated System Limited

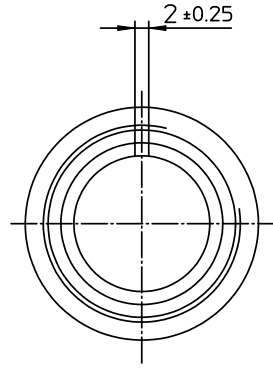
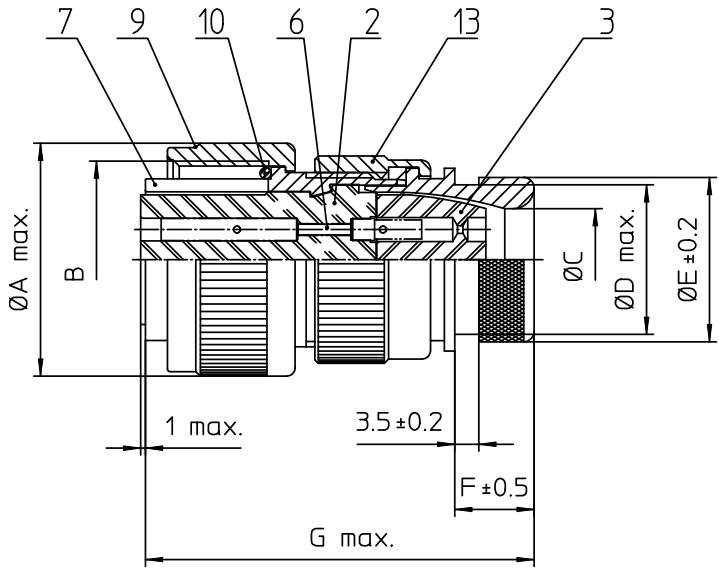
Stocking Distributor

Click to view price, real time Inventory, Delivery & Lifecycle Information:

[ITT Cannon, LLC](#)
[CA3106E14S-5SDN](#)

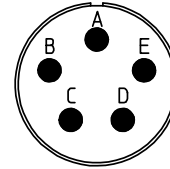
For any questions, you can email us directly:

sales@integrated-circuit.com





| NO. | MASSE / DIMENSION |
|-----|-------------------|
| A | 28.8 |
| B | 7/8-20UNEF-2B |
| C | 10.6 |
| D | 17 |
| E | 19.1 |
| F | 11.7 |
| G | 49 |

| NO. | BESCHREIBUNG / DESCRIPTION |
|-----|---|
| 2 | ISOLIERKÖRPER BUCHSE / INSULATOR SOCKET |
| 3 | DICHTKÖRPER / GROMMET |
| 6 | KONTAKTBUCHSE / CONTACT SOCKET |
| 7 | ZYLINDERGHÄUSE / BARREL |
| 9 | ÜBERWURFMUTTER / COUPLING NUT |
| 10 | DICHTRING FRONT / FRONT SEALING RING |
| 13 | ENDGEHÄUSE DN / ENDBELL HEATSHRINK |



Note: Due to an automatic nomenclature system, numbers generated may not be sequential.
Specification and Dimensions subject to change
Drawings illustrate normal insulator positioning

| Material Specification: | |
|-------------------------|--|
| Shell Material: | Aluminium alloy |
| Shell Plating: | Olive drab chromate coating over cadmium plating |
| Insulator Material: | Neoprene |
| Contact Material: | Copper alloy |
| Contact Plating: | Hard silver |

| all dimensions are in mm Dimensions without tolerance indications are general tolerances in acc. with DIN7168m | | drawing for CUSTOMER |
|---|--|---|
|  ITT Engineered for life <small>ITT CANNON GERMANY 62-75361 Weinstadt-Germersheim</small> | description | CA3106E14S-5S-DN |
| | | Plug, straight Endbell for heatshrink boots Solder Cup / Socket / Layout: 14S-5 |
| <small>© All rights reserved. Reproduction or issue in third in any form whatever is only permitted with written authorization of ITT Cannon</small> |  page 1/1 | revision 377.3, Jul 16 |