



Excellent Integrated System Limited

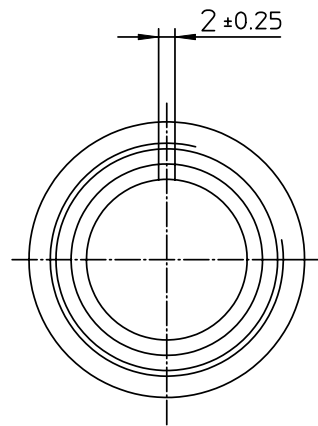
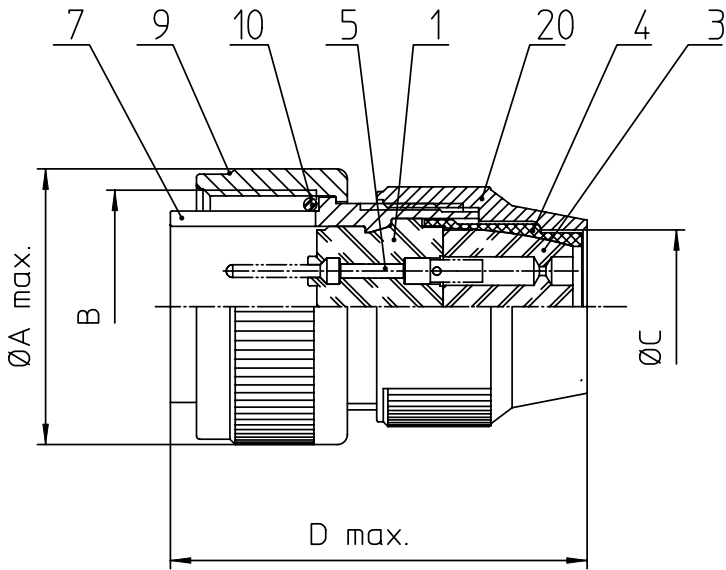
Stocking Distributor

Click to view price, real time Inventory, Delivery & Lifecycle Information:

[ITT Cannon, LLC](#)
[CA3106R20-7PXF80](#)

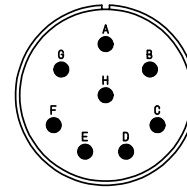
For any questions, you can email us directly:

sales@integrated-circuit.com



NO.	MASSE / DIMENSION
A	37,4
B	1 1/4-18NEF-2A
C	22
D	53

NO.	BESCHREIBUNG / DESCRIPTION
1	ISOLIERKÖRPER STIFT / INSULATOR PIN
3	DICHTKÖRPER / GROMMET
4	ENDRING / ENDRING
5	KONTAKTSTIFT / CONTACT PIN
7	ZYLINDERGHÄUSE / BARREL
9	ÜBERWURFMUTTER / COUPLING NUT
10	DICHTRING FRONT / FRONT SEALING RING
20	KURZES ENDGEHÄUSE / SHORT ENDBELL



Note: Due to an automatic nomenclature system, numbers generated may not be sequential.
 Specification and Dimensions subject to change
 Drawings illustrate normal insulator positioning

Material Specification:
 Shell Material: Aluminium alloy
 Shell Plating: Olive drab chromate coating over cadmium plating
 Insulator Material: Neoprene
 Contact Material: Copper alloy
 Contact Plating: Hard silver

all dimensions are in mm Dimensions without tolerance indications are general tolerances in acc. with DIN7168m		drawing for CUSTOMER
 Engineered for life ITT CANNON GROUP 91-27538-0000-00 Summary	description	CA3106R20-7PX-F80
	Plug, straight Shortened light-weight endbell without cable clamp AWG Crimp / Pin / Layout: 20-7	
© All rights reserved. Reproduction or issue to third in any form whatever is only permitted with written authorization of ITT Cannon	page 1/1 revision 377.3. Jul 16	