



Excellent Integrated System Limited

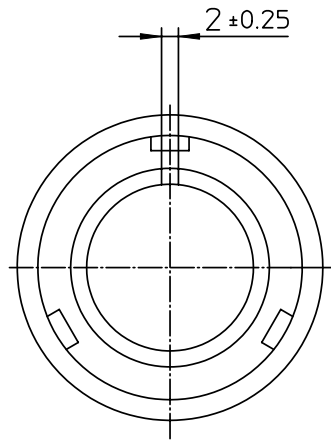
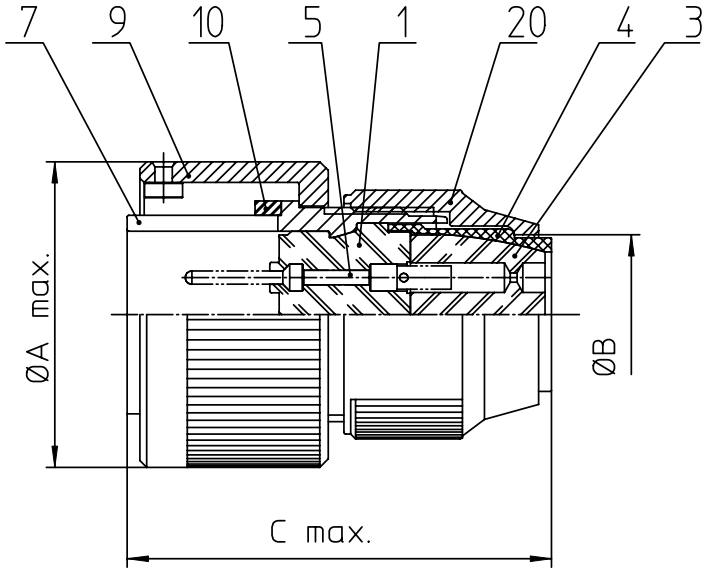
Stocking Distributor

Click to view price, real time Inventory, Delivery & Lifecycle Information:

[ITT Cannon, LLC](#)
[CA3106R14S-6PBF80](#)

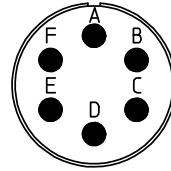
For any questions, you can email us directly:

sales@integrated-circuit.com





| NO. | MASSE / DIMENSION |
|-----|-------------------|
| A | 29.2 |
| B | 12.4 |
| C | 41 |

| NO. | BESCHREIBUNG / DESCRIPTION |
|-----|--------------------------------------|
| 1 | ISOLIERKÖRPER STIFT / INSULATOR PIN |
| 3 | DICHTKÖRPER / GROMMET |
| 4 | ENDRING / ENDRING |
| 5 | KONTAKTSTIFT/ CONTACT PIN |
| 7 | ZYLINDERGHÄUSE / BARREL |
| 9 | ÜBERWURFMUTTER / COUPLING NUT |
| 10 | DICHTRING FRONT / FRONT SEALING RING |
| 20 | KURZES ENDGEHÄUSE/SHORT ENDBELL |



Note: Due to an automatic nomenclature system, numbers generated may not be sequential.
Specification and Dimensions subject to change
Drawings illustrate normal insulator positioning

| Material Specification: | |
|-------------------------|---|
| Shell Material: | Aluminium alloy |
| Shell Plating: | Olive drab chromate over cadmium (conductive) |
| Insulator Material: | CR-Elastomere |
| Contact Material: | Copper alloy |
| Contact Plating: | Hard silver |

| all dimensions are in mm | | Dimensions without tolerance indications are general tolerances in acc. with DIN7168m | drawing for CUSTOMER |
|---|---|---|---------------------------|
|  ITT <i>Engineered for life</i> <small>ITT CANNON GmbH D-73564 Winnenden/Germany</small> | description | CA3106R14S-6P-B-F80 | |
| | Plug, straight | Shortened light-weight endbell without cable clamp | |
| | AWG Crimp / Pin / Layout: | 14S-6 | |
| <small>© All rights reserved. Reproduction or issue to third in any form whenever is only permitted with written authorization of ITT Cannon</small> |  | page 1/1 | revision 786 4. Jul 16 |