



**Distributor of ITT Cannon, LLC: Excellent Integrated System Limited**  
Datasheet of CA3106F14S-9SBF80 - CONN PLUG 2POS INLINE W/SKTS  
Contact us: [sales@integrated-circuit.com](mailto:sales@integrated-circuit.com) Website: [www.integrated-circuit.com](http://www.integrated-circuit.com)

---

## **Excellent Integrated System Limited**

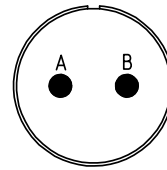
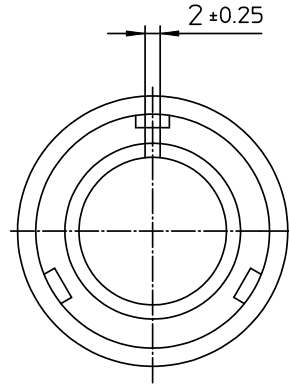
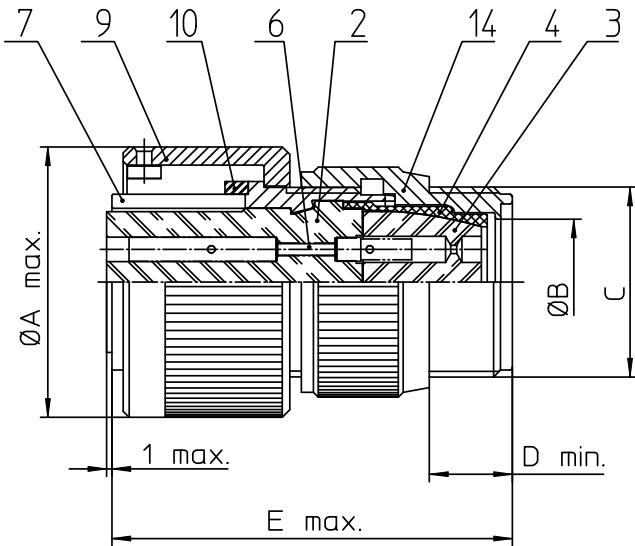
Stocking Distributor

Click to view price, real time Inventory, Delivery & Lifecycle Information:

[ITT Cannon, LLC](#)  
[CA3106F14S-9SBF80](#)

For any questions, you can email us directly:

[sales@integrated-circuit.com](mailto:sales@integrated-circuit.com)




NO.	MASSE / DIMENSION
A	29.2
B	11.1
C	3/4-20UNEF-2A
D	9.5
E	45

NO.	BESCHREIBUNG / DESCRIPTION
2	ISOLIERKÖRPER BUCHSE / INSULATOR SOCKET
3	DICHTKÖRPER / GROMMET
4	ENDRING / ENDRING
6	KONTAKTBUCHSE / CONTACT SOCKET
7	ZYLINDERGHÄUSE / BARREL
9	ÜBERWURFMUTTER / COUPLING NUT
10	DICHTRING FRONT / FRONT SEALING RING
14	F-ENDGEHÄUSE / F-ENDBELL

Note: Due to an automatic nomenclature system, numbers generated may not be sequential.  
Specification and Dimensions subject to change  
Drawings illustrate normal insulator positioning

Material Specification:	
Shell Material:	Aluminium alloy
Shell Plating:	Olive drab chromate over cadmium (conductive)
Insulator Material:	CR-Elastomere
Contact Material:	Copper alloy
Contact Plating:	Hard silver

**all dimensions are in mm**  
Dimensions without tolerance indications are general tolerances in acc. with DIN7168m

 <b>ITT</b> <i>Engineered for life</i> <small>ITT CANNON GmbH D-71084 Heimsheim, Germany</small>	description CA3106F14S-9S-B-F80 Plug, straight Endbell for flex tube AWG Crimp / Socket / Layout: 14S-9	drawing for <b>CUSTOMER</b>
	© All rights reserved. Reproduction or issue to third in any form without is only permitted with written authorization of ITT Cannon	
	page 1/1 revision 786 4, Jul 16	