



Distributor of ITT Cannon, LLC: Excellent Integrated System Limited
Datasheet of CA3102E28-12PYF80 - CONN RCPT 26 POS BOX MNT W/PINS
Contact us: sales@integrated-circuit.com Website: www.integrated-circuit.com

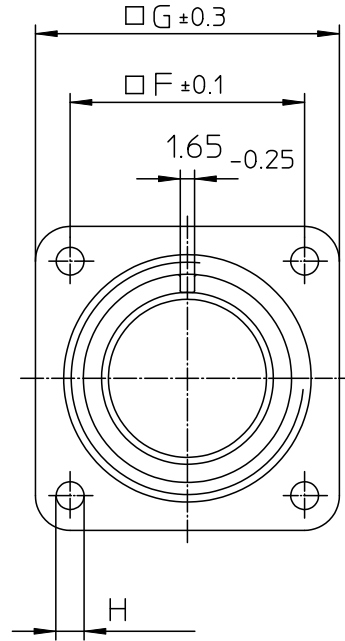
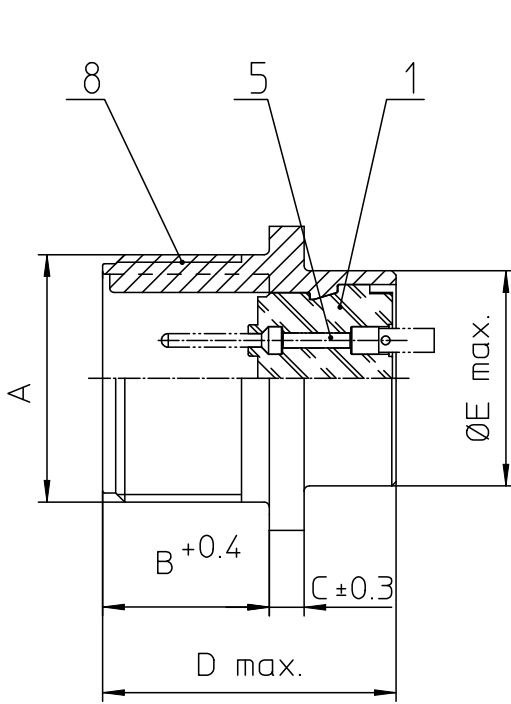
Excellent Integrated System Limited

Stocking Distributor

Click to view price, real time Inventory, Delivery & Lifecycle Information:

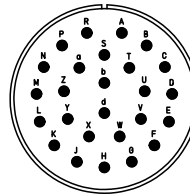
[ITT Cannon, LLC](#)
[CA3102E28-12PYF80](#)

For any questions, you can email us directly:
sales@integrated-circuit.com




NO.	MASSE / DIMENSION
A	1 3/4-18NS-2A
B	20.6
C	4
D	34.2
E	41.2
F	39.7
G	50.8
H	3.7

NO.	BESCHREIBUNG / DESCRIPTION
1	ISOLIERKÖRPER STIFT / INSULATOR PIN
5	KONTAKTSTIFT / CONTACT PIN
8	DOSENGEHÄUSE / SHELL



Material Specification:	
Shell Material:	Aluminium alloy
Shell Plating:	Olive drab chromate coating over cadmium plating
Insulator Material:	Neoprene
Contact Material:	Copper alloy
Contact Plating:	Hard silver

Note: Due to an automatic nomenclature system, numbers generated may not be sequential.
Specification and Dimensions subject to change Drawings illustrate normal insulator positioning

all dimensions are in mm Dimensions without tolerance indications are general tolerances in acc. with DIN7168m	drawing for CUSTOMER
 ITT <i>Engineered for life</i> <small>ITT CANNON GMBH D-71634 Weinstadt/Germany</small>	description CA3102E28-12PY-F80 Box mounting receptacle AWG Crimp / Pin / Layout: 28-12
<small>© All rights reserved. Reproduction or issue in any form without the prior written permission of ITT Cannon</small>	page 1/1 revision 377.3, Jul 16