



Distributor of ITT Cannon, LLC: Excellent Integrated System Limited

Datasheet of CA3106E16-10SF80 - CONN PLUG 3POS INLINE W/SKTS

Contact us: sales@integrated-circuit.com Website: www.integrated-circuit.com

Excellent Integrated System Limited

Stocking Distributor

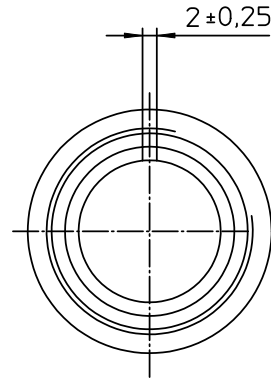
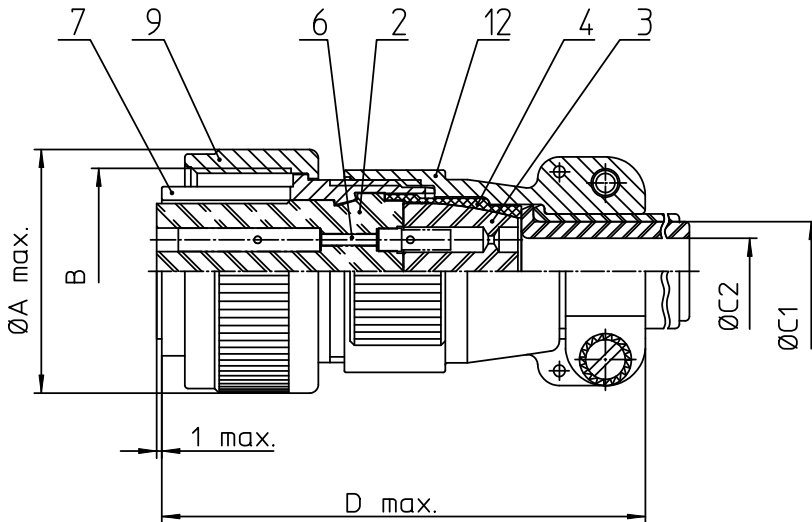
Click to view price, real time Inventory, Delivery & Lifecycle Information:

[ITT Cannon, LLC](#)

[CA3106E16-10SF80](#)

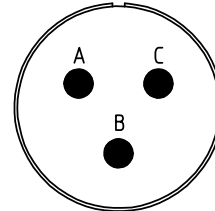
For any questions, you can email us directly:

sales@integrated-circuit.com



NO.	MASSE / DIMENSION
A	31.8
B	1-20UNEF-2B
C1	11.1
C2	-
D	66


NO.	BESCHREIBUNG / DESCRIPTION
2	ISOLIERKÖRPER BUCHSE / INSULATOR SOCKET
3	DICHTKÖRPER / GROMMET
4	ENDRING / ENDRING
6	KONTAKTBUCHSE / CONTACT SOCKET
7	ZYLINDERGHÄUSE / BARREL
9	ÜBERWURFMUTTER / COUPLING NUT
12	ENDGEHÄUSE / ENDBELL



Note: Due to an automatic nomenclature system, numbers generated may not be sequential.

Specification and Dimensions subject to change
Drawings illustrate normal insulator positioning

Material Specification:	
Shell Material:	Aluminium alloy
Shell Plating:	Olive drab chromate coating over cadmium plating
Insulator Material:	Neoprene
Contact Material:	Copper alloy
Contact Plating:	Hard silver

all dimensions are in mm		drawing for	
Dimensions without tolerance indications are general tolerances in acc. with DIN7168m		CUSTOMER	
 ITT <i>Engineered for life</i> <small>ITT CANNON GmbH 61-7584 Wiesbaden, Germany</small>	description CA3106E16-10S-F80		
	Plug, straight		
	Endbell with clamp and bushing AWG Crimp / Socket / Layout: 16-10		
© All rights reserved. Reproduction or issue to third in any form whatever is only permitted with written authorization of ITT Cannon		page 1/1	revision 377.3, Jul 16