



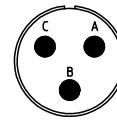
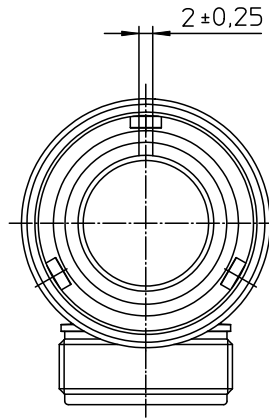
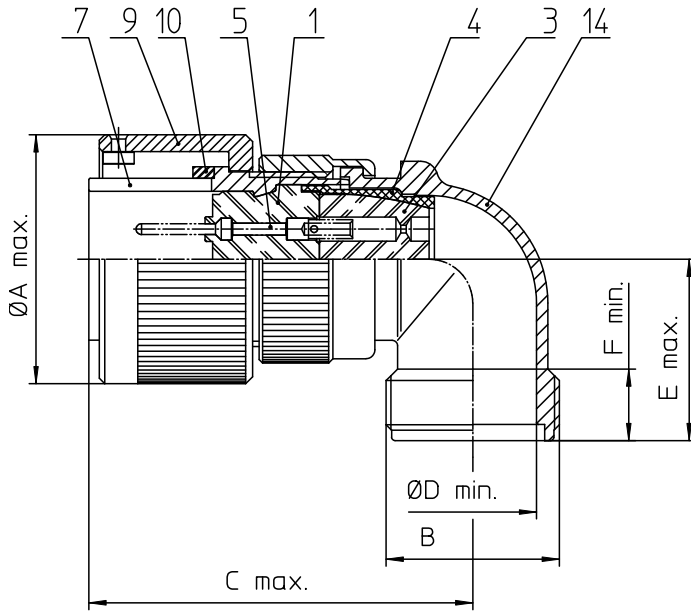
Excellent Integrated System Limited

Stocking Distributor

Click to view price, real time Inventory, Delivery & Lifecycle Information:

[ITT Cannon, LLC](#)
[CA3108F10SL-3PB01](#)

For any questions, you can email us directly:
sales@integrated-circuit.com



NO.	MASSE / DIMENSION
A	22.8
B	5/8-24UNEF-2A
C	45
D	9.5
E	22
F	9.4

NO.	BESCHREIBUNG / DESCRIPTION
1	ISOLIERKÖRPER STIFT / INSULATOR PIN
3	DICHTKÖRPER / GROMMET
4	ENDRING / ENDRING
5	KONTAKTSTIFT / CONTACT PIN
7	ZYLINDERGHÄUSE / BARREL
9	ÜBERWURFMUTTER / COUPLING NUT
10	DICHTRING FRONT / FRONT SEALING RING
14	F-ENDGEHÄUSE / F-ENDBELL

<p>Note: Due to an automatic nomenclature system, numbers generated may not be sequential.</p> <p>Specification and Dimensions subject to change Drawings illustrate normal insulator positioning</p>	
<p>Material Specification:</p> <p>Shell Material: Aluminium alloy</p> <p>Shell Plating: Olive drab chromate over cadmium (conductive)</p> <p>Insulator Material: CR-Elastomere</p> <p>Contact Material: Copper alloy</p> <p>Contact Plating: Hard silver</p>	

<p>all dimensions are in mm Dimensions without tolerance indications are general tolerances in acc. with DIN7180m</p> <p>ITT Engineered for life ITT CANNON GROUP 5 · 71385 Wiesbaden/Germany</p> <p>© All rights reserved. Reproduction or use in any form without the written authorization of ITT Cannon</p>	<p>description CA3108F10SL-3P-B-01 Plug, 90° Endbell for flex tube Metric Crimp / Pin / Layout: 10SL-3</p>	<p>drawing for CUSTOMER</p> <p>page 1/1 revision 796 4, Jul 16</p>
--	--	--