



Excellent Integrated System Limited

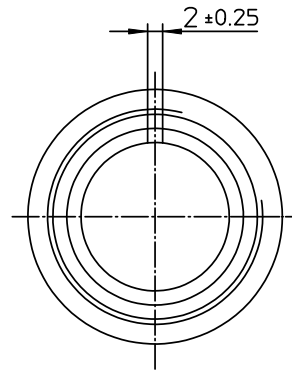
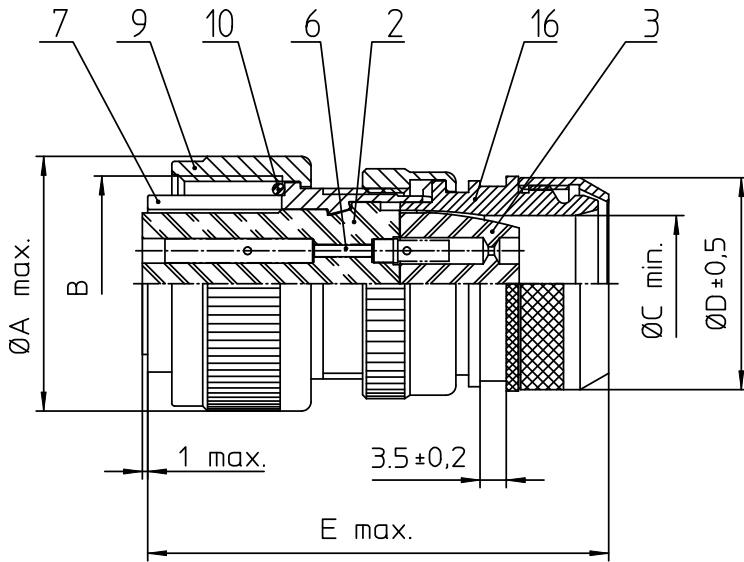
Stocking Distributor

Click to view price, real time Inventory, Delivery & Lifecycle Information:

[ITT Cannon, LLC](#)
[CA3106E14S-6S13](#)

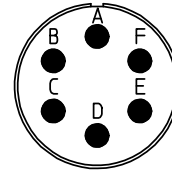
For any questions, you can email us directly:

sales@integrated-circuit.com



NO.	MASSE / DIMENSION
A	28.8
B	7/8-20UNEF-2B
C	11.1
D	-
E	55

NO.	BESCHREIBUNG / DESCRIPTION
2	ISOLIERKÖRPER BUCHSE / INSULATOR SOCKET
3	DICHTKÖRPER / GROMMET
6	KONTAKTBUCHSE / CONTACT SOCKET
7	ZYLINDERGHÄUSE / BARREL
9	ÜBERWURFMUTTER / COUPLING NUT
10	DICHTRING FRONT / FRONT SEALING RING
16	ENDGEHÄUSE GESCHIRMT / ENDBELL SHIELDED



Note: Due to an automatic nomenclature system, numbers generated may not be sequential.
Specification and Dimensions subject to change
Drawings illustrate normal insulator positioning

Material Specification:	
Shell Material:	Aluminium alloy
Shell Plating:	Olive drab chromate coating over cadmium plating
Insulator Material:	Neoprene
Contact Material:	Copper alloy
Contact Plating:	Hard silver

all dimensions are in mm

Dimensions without tolerance indications are general tolerances in acc. with DIN7168m

drawing for
CUSTOMER



Engineered for life
ITT CANNON GmbH
D-37084 Wunstorf/Germany

description CA3106E14S-6S-13
Plug, straight shielded
Endbell with clamp and bushing
Solder Cup / Socket / Layout: 14S-6

© All rights reserved. Reproduction or issue in third in any form
whenever is only permitted with written authorization of ITT Cannon

page 1/1

revision 377.3, Jul 16