



Excellent Integrated System Limited

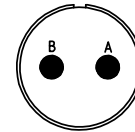
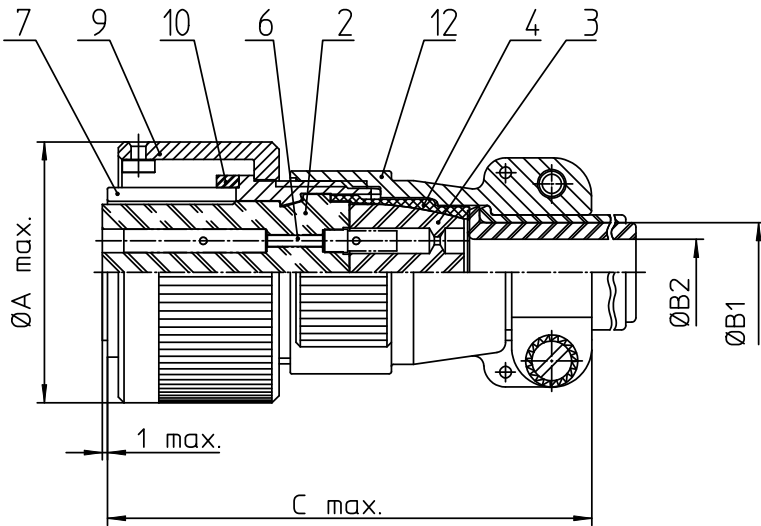
Stocking Distributor

Click to view price, real time Inventory, Delivery & Lifecycle Information:

[ITT Cannon, LLC](#)
[CA3106E10SL-4SB01](#)

For any questions, you can email us directly:

sales@integrated-circuit.com




| NO. | MASSE / DIMENSION |
|-----|-------------------|
| A | 22.8 |
| B1 | 6.6 |
| B2 | - |
| C | 53 |

| NO. | BESCHREIBUNG / DESCRIPTION |
|-----|---|
| 2 | ISOLIERKÖRPER BUCHSE / INSULATOR SOCKET |
| 3 | DICHTKÖRPER / GROMMET |
| 4 | ENDRING / ENDRING |
| 6 | KONTAKTBUCHSE / CONTACT SOCKET |
| 7 | ZYLINDERGHÄUSE / BARREL |
| 9 | ÜBERWURFMUTTER / COUPLING NUT |
| 10 | DICHTRING FRONT / FRONT SEALING RING |
| 12 | ENDGEHÄUSE / ENDBELL |

Note: Due to an automatic nomenclature system, numbers generated may not be sequential.
Specification and Dimensions subject to change
Drawings illustrate normal insulator positioning

| Material Specification: | |
|-------------------------|---|
| Shell Material: | Aluminium alloy |
| Shell Plating: | Olive drab chromate over cadmium (conductive) |
| Insulator Material: | CR-Elastomere |
| Contact Material: | Copper alloy |
| Contact Plating: | Hard silver |

| all dimensions are in mm | | Dimensions without tolerance indications are general tolerances in acc. with DIN7168m | drawing for CUSTOMER |
|---|-------------|---|--|
|  ITT Engineered for life <small>ITT CANNON GmbH D-71284 Winstedtal/Germany</small> | description | CA3106E10SL-4S-B-01 | |
| | | Plug, straight | |
| | | Endbell with clamp and bushing | |
| | | Metric Crimp / Socket / Layout: 10SL-4 | |
| <small>© All rights reserved. Reproduction or issue to third in any form whenever is only permitted with written authorization of ITT Cannon</small> | | <small>page</small> 1/1 | <small>revision</small> 786 4. Jul 16 |