



Excellent Integrated System Limited

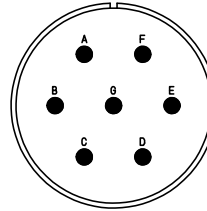
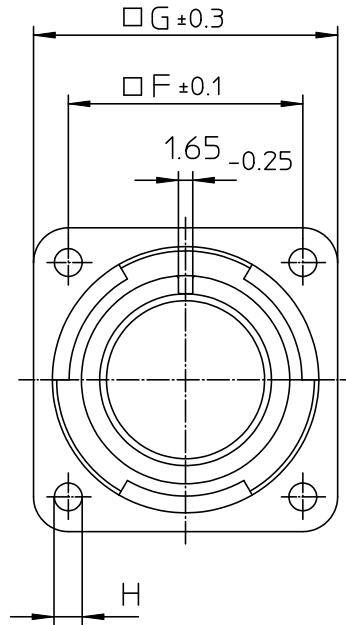
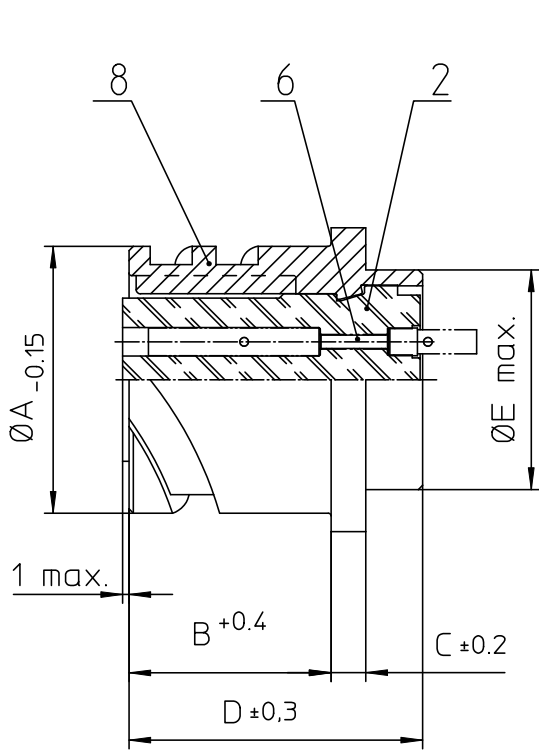
Stocking Distributor

Click to view price, real time Inventory, Delivery & Lifecycle Information:

[ITT Cannon, LLC](#)
[CA3102E24-2SBF80A232](#)

For any questions, you can email us directly:

sales@integrated-circuit.com



| NO. | MASSE / DIMENSION |
|-----|-------------------|
| A | 40.9 |
| B | 20.6 |
| C | 4 |
| D | 33.8 |
| E | 35.3 |
| F | 34.9 |
| G | 44.5 |
| H | 3.7 |

| NO. | BESCHREIBUNG / DESCRIPTION |
|-----|---|
| 2 | ISOLIERKÖRPER BUCHSE / INSULATOR SOCKET |
| 6 | KONTAKTBUCHSE / CONTACT SOCKET |
| 8 | DOSENGEHÄUSE / SHELL |

Note: Due to an automatic nomenclature system, numbers generated may not be sequential.
 Specification and Dimensions subject to change
 Drawings illustrate normal insulator positioning

| Material Specification: | |
|-------------------------|---------------------------------|
| Shell Material: | Aluminium alloy |
| Shell Plating: | Zinc cobalt, black (conductive) |
| Insulator Material: | CR-Elastomere |
| Contact Material: | Copper alloy |
| Contact Plating: | Hard silver |

all dimensions are in mm
 Dimensions without tolerance indications are general tolerances in acc. with DIN7168m

drawing for
 CUSTOMER



Engineered for life
 ITT CANNON GROUP
 51-71366 Rev0000 Germany

description CA3102E24-2S-B-F80-A232
 Box mounting receptacle

AWG Crimp / Socket / Layout: 24-2

© All rights reserved. Reproduction or use in any form without prior written authorization of ITT Cannon

page 1/1
 revision 786 4. Jul 16