



Excellent Integrated System Limited

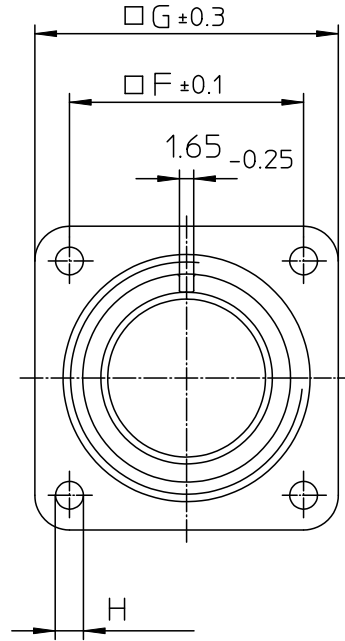
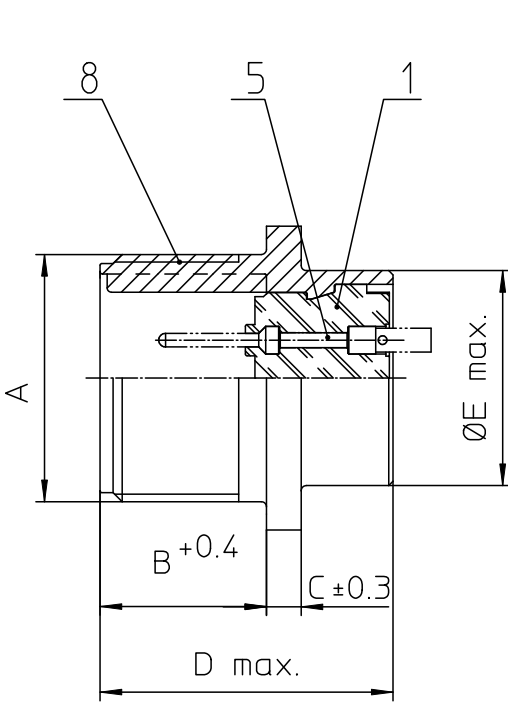
Stocking Distributor

Click to view price, real time Inventory, Delivery & Lifecycle Information:

[ITT Cannon, LLC](#)
[CA3102E28-21PWF80](#)

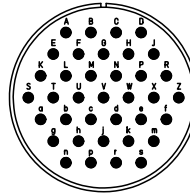
For any questions, you can email us directly:

sales@integrated-circuit.com



NO.	MASSE / DIMENSION
A	1 3/4-18NS-2A
B	20.6
C	4
D	34.2
E	41.2
F	39.7
G	50.8
H	3.7

NO.	BESCHREIBUNG / DESCRIPTION
1	ISOLIERKÖRPER STIFT / INSULATOR PIN
5	KONTAKTSTIFT/ CONTACT PIN
8	DOSENGEHÄUSE / SHELL



Note: Due to an automatic nomenclature system, numbers generated may not be sequential.

Specification and Dimensions subject to change
Drawings illustrate normal insulator positioning

Material Specification:

- Shell Material: Aluminium alloy
- Shell Plating: Olive drab chromate coating over cadmium plating
- Insulator Material: Neoprene
- Contact Material: Copper alloy
- Contact Plating: Hard silver

all dimensions are in mm
Dimensions without tolerance indications are general tolerances in acc. with DIN 7168m

description CA3102E28-21PW-F80
Box mounting receptacle

AWG Crimp / Pin / Layout: 28-21

© All rights reserved. Reproduction or issue to third in any form without the prior written authorization of ITT Cannon

page 1/1
revision 377.3, Jul 16