



Excellent Integrated System Limited

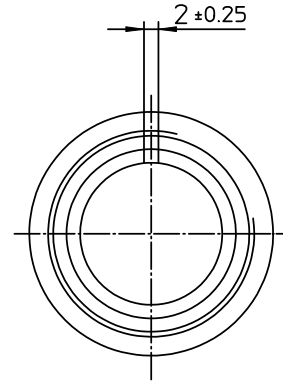
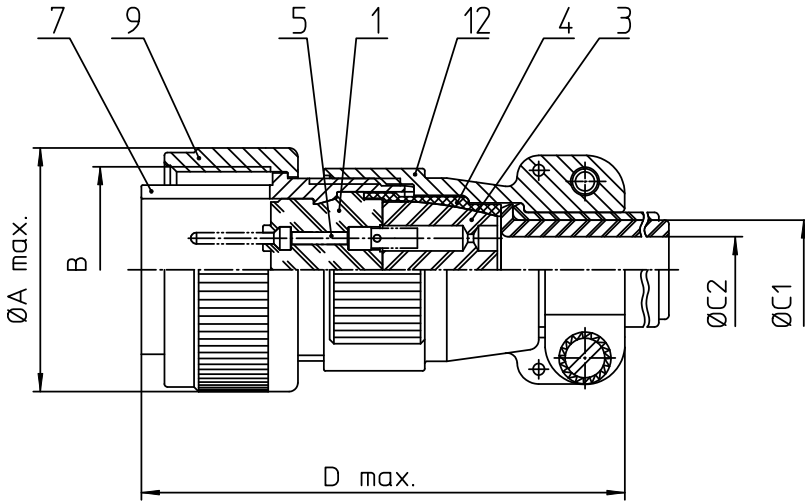
Stocking Distributor

Click to view price, real time Inventory, Delivery & Lifecycle Information:

[ITT Cannon, LLC](#)
[CA3106E20A48PF80](#)

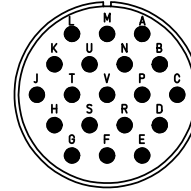
For any questions, you can email us directly:

sales@integrated-circuit.com



| NO. | MASSE / DIMENSION |
|-----|-------------------|
| A | 37.4 |
| B | 1 1/4-18NEF-2B |
| C1 | 15.9 |
| C2 | - |
| D | 68 |



| NO. | BESCHREIBUNG / DESCRIPTION |
|-----|-------------------------------------|
| 1 | ISOLIERKÖRPER STIFT / INSULATOR PIN |
| 3 | DICHTKÖRPER / GROMMET |
| 4 | ENDRING / ENDRING |
| 5 | KONTAKTSTIFT/ CONTACT PIN |
| 7 | ZYLINDERGHÄUSE / BARREL |
| 9 | ÜBERWURFMUTTER / COUPLING NUT |
| 12 | ENDGEHÄUSE / ENDBELL |



Note: Due to an automatic nomenclature system, numbers generated may not be sequential.

Specification and Dimensions subject to change
Drawings illustrate normal insulator positioning

| Material Specification: | |
|-------------------------|--|
| Shell Material: | Aluminium alloy |
| Shell Plating: | Olive drab chromate coating over cadmium plating |
| Insulator Material: | Neoprene |
| Contact Material: | Copper alloy |
| Contact Plating: | Hard silver |

| all dimensions are in mm Dimensions without tolerance indications are general tolerances in acc. with DIN7168m | | drawing for CUSTOMER |
|--|---|---|
|  ITT <i>Engineered for life</i> <small>ITT CANNON GmbH D-75394 Weinstadt, Germany</small> | description | CA3106E20A48P-F80 |
| | | Plug, straight Endbell with clamp and bushing AWG Crimp / Pin / Layout: 20A48 |
| <small>© All rights reserved. Reproduction or use in third in any form whenever is only permitted with written authorization of ITT Cannon</small> |  | page 1/1 revision 377.3, Jul 16 |