



Excellent Integrated System Limited

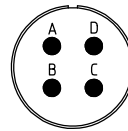
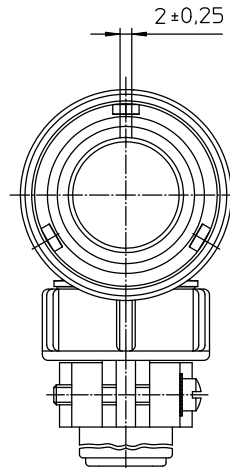
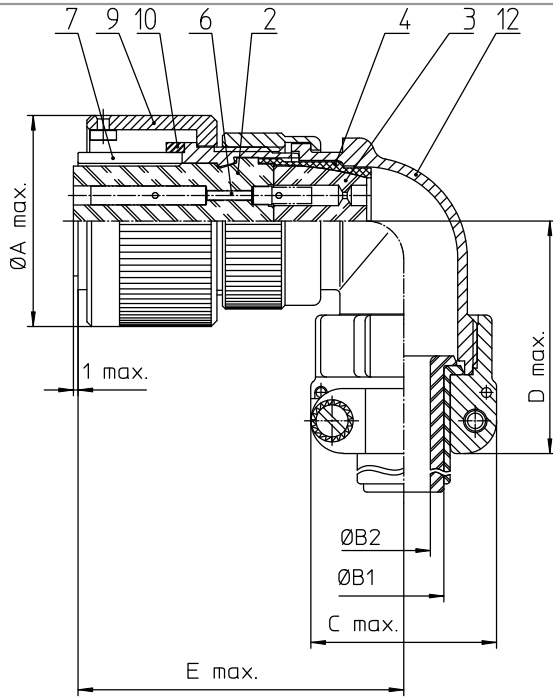
Stocking Distributor

Click to view price, real time Inventory, Delivery & Lifecycle Information:

[ITT Cannon, LLC](#)
[CA3108E14S-2SBF80A176](#)

For any questions, you can email us directly:


sales@integrated-circuit.com



NO.	MASSE / DIMENSION
A	29.2
B1	9.1
B2	-
C	27.5
D	42
E	47

NO.	BESCHREIBUNG / DESCRIPTION
2	ISOLIERKÖRPER BUCHSE / INSULATOR SOCKET
3	DICHTKÖRPER / GROMMET
4	ENDRING / ENDRING
6	KONTAKTBUCHSE / CONTACT SOCKET
7	ZYLINDERGHÄUSE / BARREL
9	ÜBERWURFMÜTTER / COUPLING NUT
10	DICHTRING FRONT / FRONT SEALING RING
12	ENDGEHÄUSE / ENDBELL

Note: Due to an automatic nomenclature system, numbers generated may not be sequential. Specification and Dimensions subject to change. Drawings illustrate normal insulator positioning.
Material Specification:
Shell Material: Aluminium alloy
Shell Plating: Olive drab chromate over cadmium (conductive)
Insulator Material: CR-Elastomere
Contact Material: Copper alloy
Contact Plating: Gold 0.5 µm

all dimensions are in mm Dimensions without tolerance indications are general tolerances in acc. with DIN 7180	drawing for CUSTOMER
 ITT Engineered for life ITT Cannon Group www.integrated-circuit.com	description CA3108E14S-2S-B-F80-A176 Plug, 90° Endbell with clamp and bushing AWG Crimp / Socket / Layout: 14S-2
<small>© All rights reserved. Reproduction or issue to third party without the written permission of ITT Cannon.</small>	<small>page</small> 1/1 <small>revision</small> 786-4 Jul 18