



Distributor of ITT Cannon, LLC: Excellent Integrated System Limited

Datasheet of CA3108E14S-7SBF80 - CONN PLUG 3POS RT ANG W/SKTS

Contact us: sales@integrated-circuit.com Website: www.integrated-circuit.com

Excellent Integrated System Limited

Stocking Distributor

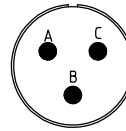
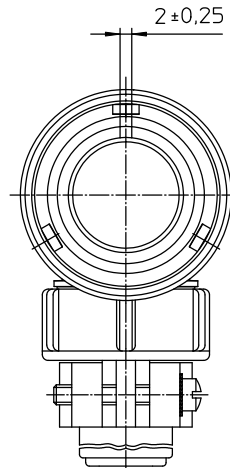
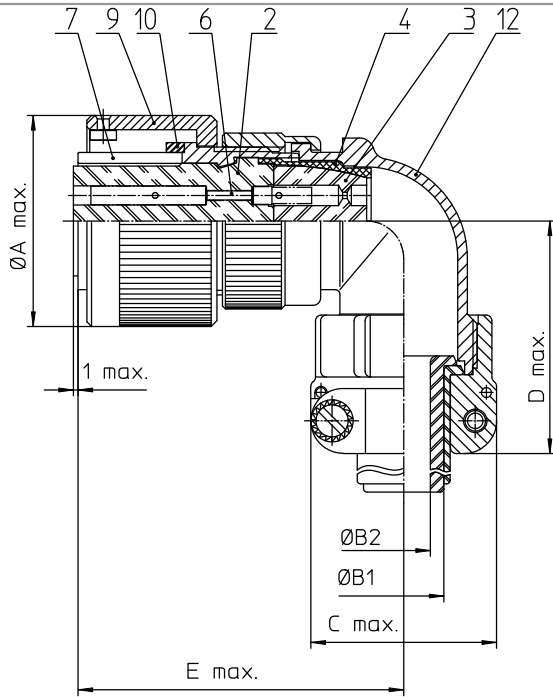
Click to view price, real time Inventory, Delivery & Lifecycle Information:

[ITT Cannon, LLC](#)

[CA3108E14S-7SBF80](#)

For any questions, you can email us directly:


sales@integrated-circuit.com



NO.	MASSE / DIMENSION
A	29.2
B1	9.1
B2	-
C	27.5
D	42
E	47

NO.	BESCHREIBUNG / DESCRIPTION
2	ISOLIERKÖRPER BUCHSE / INSULATOR SOCKET
3	DICHTKÖRPER / GROMMET
4	ENDRING / ENDRING
6	KONTAKTBUCHSE / CONTACT SOCKET
7	ZYLINDERGHÄUSE / BARREL
9	ÜBERWURFMÜTTER / COUPLING NUT
10	DICHTRING FRONT / FRONT SEALING RING
12	ENDGEHÄUSE / ENDBELL

<p>Note: Due to an automatic nomenclature system, numbers generated may not be sequential. Specification and Dimensions subject to change. Drawings illustrate normal insulator positioning.</p>	
<p>Material Specification:</p>	
Shell Material:	Aluminium alloy
Shell Plating:	Olive drab chromate over cadmium (conductive)
Insulator Material:	CR-Elastomere
Contact Material:	Copper alloy
Contact Plating:	Hard silver

<p>all dimensions are in mm Dimensions without tolerance indications are general tolerances in acc. with DIN 7180</p>		<p>drawing for CUSTOMER</p>
 <p>Engineered for life ITT Cannon www.ittcannon.com</p>	<p>description CA3108E14S-7S-B-F80 Plug, 90° Endbell with clamp and bushing AWG Crimp / Socket / Layout: 14S-7</p>	
<p>© All rights reserved. Reproduction or issue in any form without the written authorization of ITT Cannon.</p>		<p>page 1/1 revision 786-4 Jul 18</p>