



Excellent Integrated System Limited

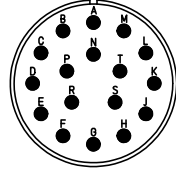
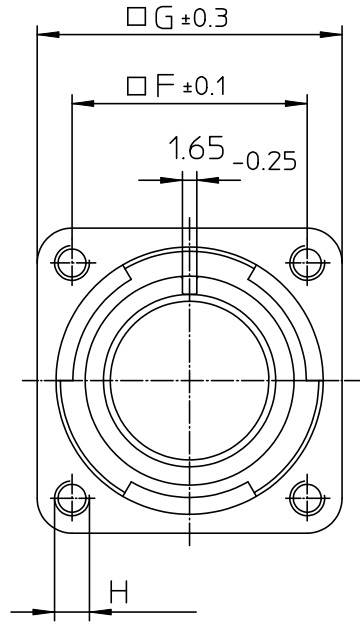
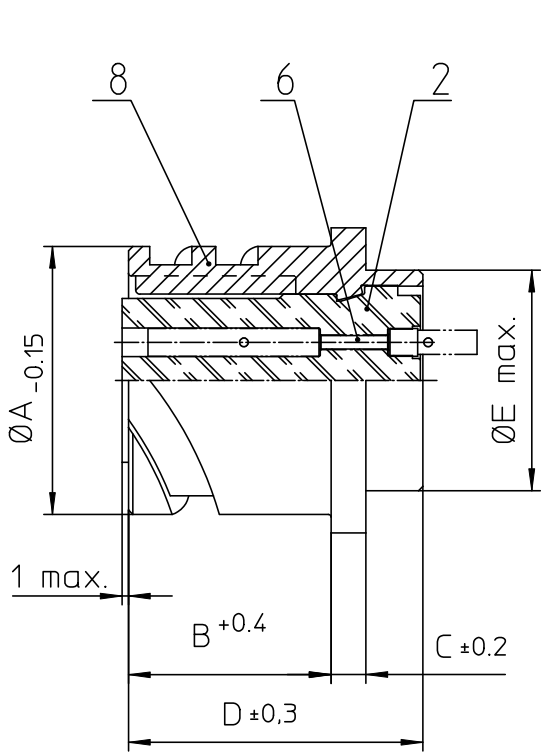
Stocking Distributor

Click to view price, real time Inventory, Delivery & Lifecycle Information:

[ITT Cannon, LLC](#)
[CA3102E20-29SB109A176](#)

For any questions, you can email us directly:

sales@integrated-circuit.com



| NO. | MASSE / DIMENSION |
|-----|-------------------|
| A | 34.2 |
| B | 23.05 |
| C | 4 |
| D | 33.8 |
| E | 29 |
| F | 29.4 |
| G | 38 |
| H | M4 |

| NO. | BESCHREIBUNG / DESCRIPTION |
|-----|---|
| 2 | ISOLIERKÖRPER BUCHSE / INSULATOR SOCKET |
| 6 | KONTAKTBUCHSE / CONTACT SOCKET |
| 8 | DOSENGEHÄUSE / SHELL |

Note: Due to an automatic nomenclature system, numbers generated may not be sequential.
 Specification and Dimensions subject to change
 Drawings illustrate normal insulator positioning

| Material Specification: | |
|-------------------------|---|
| Shell Material: | Aluminium alloy |
| Shell Plating: | Olive drab chromate over cadmium (conductive) |
| Insulator Material: | CR-Elastomere |
| Contact Material: | Copper alloy |
| Contact Plating: | Gold 0.5 µm |

| all dimensions are in mm Dimensions without tolerance indications are general tolerances in acc. with DIN7168m | | drawing for CUSTOMER |
|---|--|-------------------------|
| ITT Engineered for life ITT CANNON GMBH D-71364 Weinstadt Germany | description CA3102E20-29S-B-109-A176 Box mounting receptacle (rear mount, threaded holes) | |
| | AWG Crimp / Socket / Layout: 20-29 | |
| © All rights reserved. Reproduction or issue to third in any form without prior written authorization of ITT Cannon | page 1/1 | revision 786 4. Jul 16 |