



Excellent Integrated System Limited

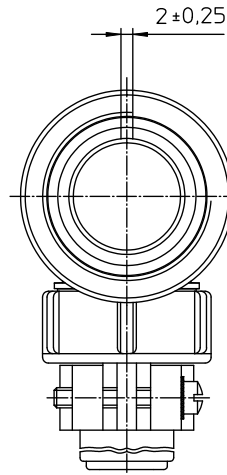
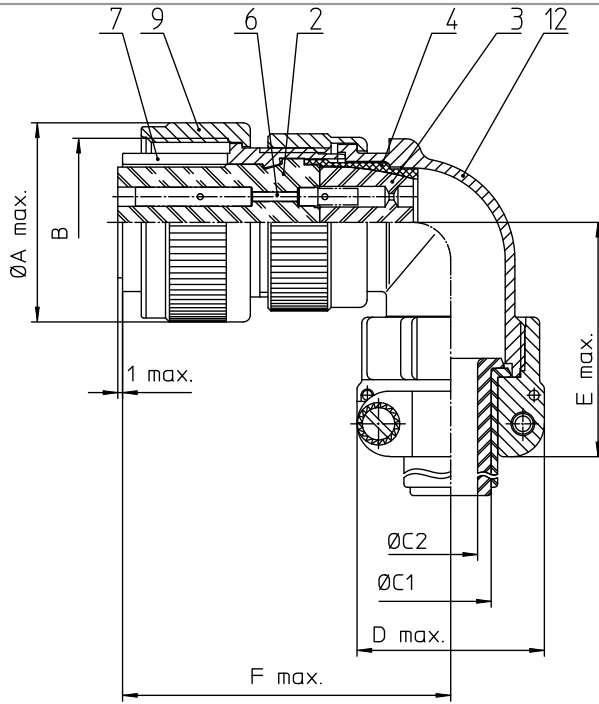
Stocking Distributor

Click to view price, real time Inventory, Delivery & Lifecycle Information:

[ITT Cannon, LLC](#)
[CA3108E14S-13S](#)

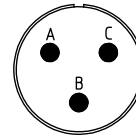
For any questions, you can email us directly:

sales@integrated-circuit.com



| NO. | MASSE / DIMENSION |
|-----|-------------------|
| A | 28.8 |
| B | 7/8-20UNEF-2B |
| C1 | 9.1 |
| C2 | - |
| D | 27.5 |
| E | 42 |
| F | 47 |

| NO. | BESCHREIBUNG / DESCRIPTION |
|-----|---|
| 2 | ISOLIERKÖRPER BÜCHSE / INSULATOR SOCKET |
| 3 | DICHTKÖRPER / GROMMET |
| 4 | ENDRING / ENDRING |
| 6 | KONTAKTBÜCHSE / CONTACT SOCKET |
| 7 | ZYLINDERGHÄUSE / BARREL |
| 9 | ÜBERWURFMUTTER / COUPLING NUT |
| 12 | ENDGEHÄUSE / ENDBELL |



| |
|--|
| Note: Due to an automatic nomenclature system, numbers generated may not be sequential. |
| Specification and Dimensions subject to change Drawings illustrate normal insulator positioning |
| Material Specification: |
| Shell Material: Aluminium alloy |
| Shell Plating: Olive drab chromate coating over cadmium plating |
| Insulator Material: Neoprene |
| Contact Material: Copper alloy |
| Contact Plating: Hard silver |

all dimensions are in mm
Dimensions without tolerance indications are general tolerances in acc. with DIN7150m

drawing for
CUSTOMER

ITT
Engineered for life
ITT CANNON GROUP
17108 Woodbridge, Ontario

description CA3108E14S-13S
Plug 90°
Endbell with clamp and bushing
Solder Cup / Socket / Layout: 14S-13

© All rights reserved. Reproduction or reuse in any form without the prior written authorization of ITT Cannon

page 1/1
revision 377.3, Jul 16