



**Distributor of ITT Cannon, LLC: Excellent Integrated System Limited**  
Datasheet of CA3102E28-21SY - CONN RCPT 37 POS BOX MNT W/SKTS  
Contact us: [sales@integrated-circuit.com](mailto:sales@integrated-circuit.com) Website: [www.integrated-circuit.com](http://www.integrated-circuit.com)

---

## **Excellent Integrated System Limited**

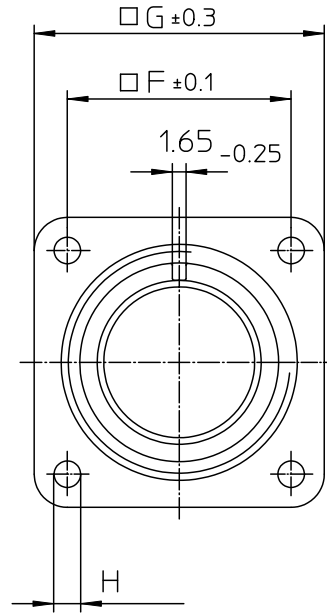
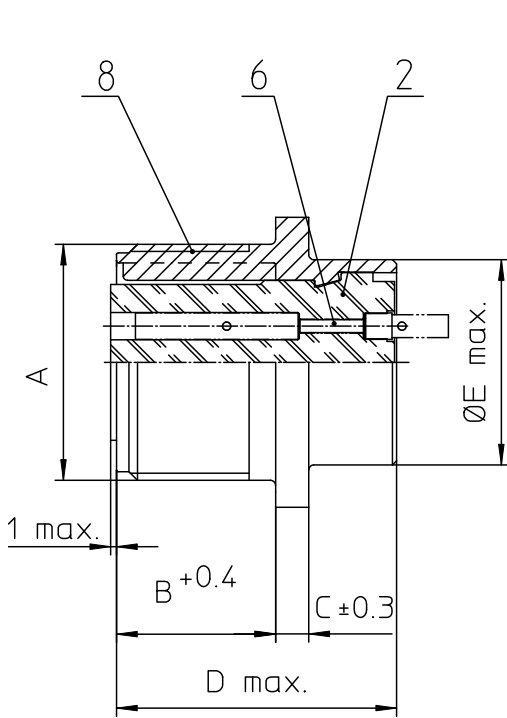
Stocking Distributor

Click to view price, real time Inventory, Delivery & Lifecycle Information:

[ITT Cannon, LLC](#)  
[CA3102E28-21SY](#)

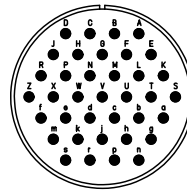
For any questions, you can email us directly:

[sales@integrated-circuit.com](mailto:sales@integrated-circuit.com)



NO.	MASSE / DIMENSION
A	1 3/4-18NS-2A
B	20.6
C	4
D	34.2
E	41.2
F	39.7
G	50.8
H	3.7

NO.	BESCHREIBUNG / DESCRIPTION
2	ISOLIERKÖRPER BUCHSE / INSULATOR SOCKET
6	KONTAKTBUCHSE / CONTACT SOCKET
8	DOSENGEHÄUSE / SHELL



Note: Due to an automatic nomenclature system, numbers generated may not be sequential.  
Specification and Dimensions subject to change  
Drawings illustrate normal insulator positioning

Material Specification:	
Shell Material:	Aluminium alloy
Shell Plating:	Olive drab chromate coating over cadmium plating
Insulator Material:	Neoprene
Contact Material:	Copper alloy
Contact Plating:	Hard silver

all dimensions are in mm  
Dimensions without tolerance indications are general tolerances in acc. with DIN7168m  
drawing for CUSTOMER

<p>ITT Engineered for life ITT CANON GERMANY D-71364 Weinstadt/Germany</p>	<p>description CA3102E28-21SY Box mounting receptacle</p>
	<p>Solder Cup / Socket / Layout: 28-21</p>
<p>© All rights reserved. Reproduction or reuse by third party without the authorization of ITT Cannon is only permitted with the authorization of ITT Cannon.</p>	<p>page 1/1 revision 3773, Jul 16</p>