



Excellent Integrated System Limited

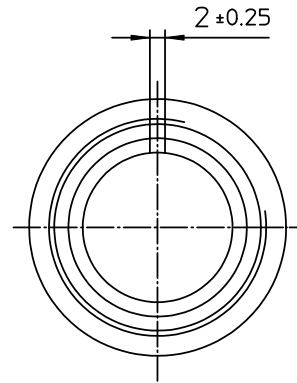
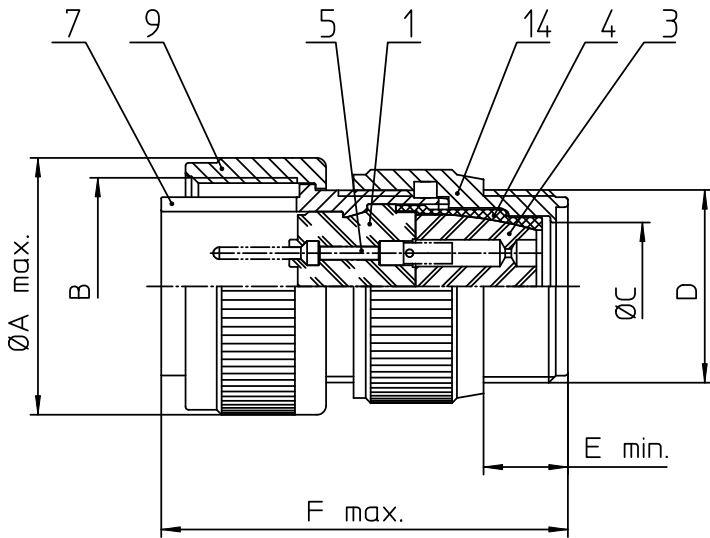
Stocking Distributor

Click to view price, real time Inventory, Delivery & Lifecycle Information:

[ITT Cannon, LLC](#)
[CA3106F20-22PYF80](#)

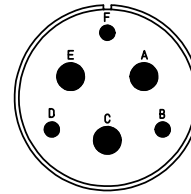
For any questions, you can email us directly:

sales@integrated-circuit.com




NO.	MASSE / DIMENSION
A	37.4
B	1 1/4-18NEF-2B
C	19.8
D	1 3/16-18NEF-2A
E	9.5
F	55

NO.	BESCHREIBUNG / DESCRIPTION
1	ISOLIERKÖRPER STIFT / INSULATOR PIN
3	DICHTKÖRPER / GROMMET
4	ENDRING / ENDRING
5	KONTAKTSTIFT / CONTACT PIN
7	ZYLINDERGHÄUSE / BARREL
9	ÜBERWURFMUTTER / COUPLING NUT
14	F-ENDGEHÄUSE / F-ENDBELL



Note: Due to an automatic nomenclature system, numbers generated may not be sequential.
Specification and Dimensions subject to change Drawings illustrate normal insulator positioning
Material Specification:
Shell Material: Aluminium alloy
Shell Plating: Olive drab chromate coating over cadmium plating
Insulator Material: Neoprene
Contact Material: Copper alloy
Contact Plating: Hard silver

all dimensions are in mm Dimensions without tolerance indications are general tolerances in acc. with DIN7168m	drawing for CUSTOMER
 ITT <i>Engineered for life</i> <small>ITT CANNON GmbH D-75394 Weinstadt, Germany</small>	description CA3106F20-22PY-F80 Plug, straight Endbell for flex tube AWG Crimp / Pin / Layout: 20-22
<small>© All rights reserved. Reproduction or issue in third in any form whatever is only permitted with written authorization of ITT Cannon</small>	page 1/1 revision 377.3, Jul 16