

## Excellent Integrated System Limited

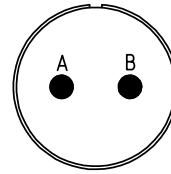
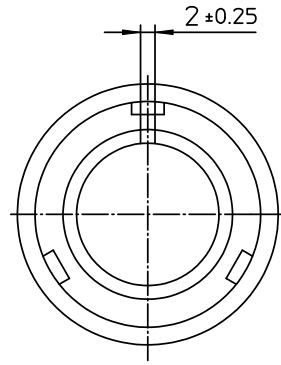
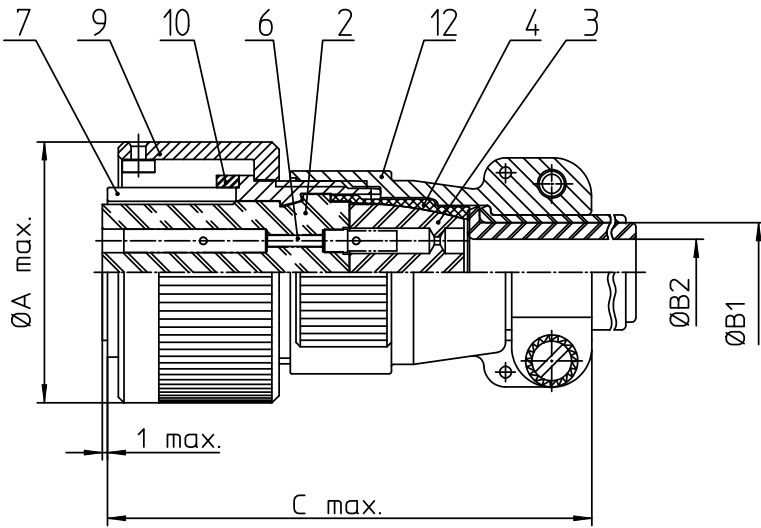
Stocking Distributor

Click to view price, real time Inventory, Delivery & Lifecycle Information:

[ITT Cannon, LLC](#)  
[CA3106E14S-9SZBF80A232](#)

For any questions, you can email us directly:

[sales@integrated-circuit.com](mailto:sales@integrated-circuit.com)





| NO. | MASSE / DIMENSION |
|-----|-------------------|
| A   | 29.2              |
| B1  | 9.1               |
| B2  | -                 |
| C   | 55                |

| NO. | BESCHREIBUNG / DESCRIPTION              |
|-----|---|
| 2   | ISOLIERKÖRPER BUCHSE / INSULATOR SOCKET |
| 3   | DICHTKÖRPER / GROMMET                   |
| 4   | ENDRING / ENDRING                       |
| 6   | KONTAKTBUCHSE / CONTACT SOCKET          |
| 7   | ZYLINDERGHÄUSE / BARREL                 |
| 9   | ÜBERWURFMUTTER / COUPLING NUT           |
| 10  | DICHTRING FRONT / FRONT SEALING RING    |
| 12  | ENDGEHÄUSE / ENDBELL                    |

Note: Due to an automatic nomenclature system, numbers generated may not be sequential.  
 Specification and Dimensions subject to change  
 Drawings illustrate normal insulator positioning

| Material Specification: |                                 |
|-------------------------|---------------------------------|
| Shell Material:         | Aluminium alloy                 |
| Shell Plating:          | Zinc cobalt, black (conductive) |
| Insulator Material:     | CR-Elastomere                   |
| Contact Material:       | Copper alloy                    |
| Contact Plating:        | Hard silver                     |

| all dimensions are in mm   |  | Dimensions without tolerance indications are general tolerances in acc. with DIN7168m                                    | drawing for |
|--|--|--|-------------|
| <br><b>ITT</b><br>Engineered for life<br><small>ITT CANNON GmbH<br/>           D-71284 Wernau/Oberrhein</small> |  | description  | CUSTOMER    |
|  |  | CA3106E14S-9SZB-F80-A232<br>Plug, straight<br>Endbell with clamp and bushing<br>AWG Crimp / Socket / Layout: 14S-9       |             |
| <small>© All rights reserved. Reproduction or issue to third in any form<br/>           whatever is only permitted with written authorization of ITT Cannon</small>                                  |  |  page 1/1<br>revision 786 4. Jul 16 |             |