



## **Excellent Integrated System Limited**

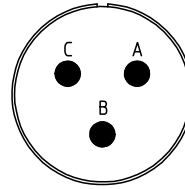
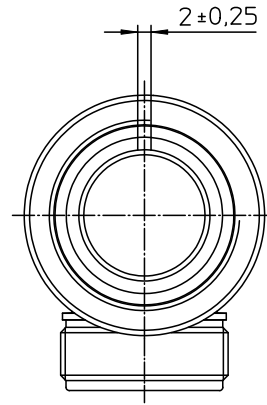
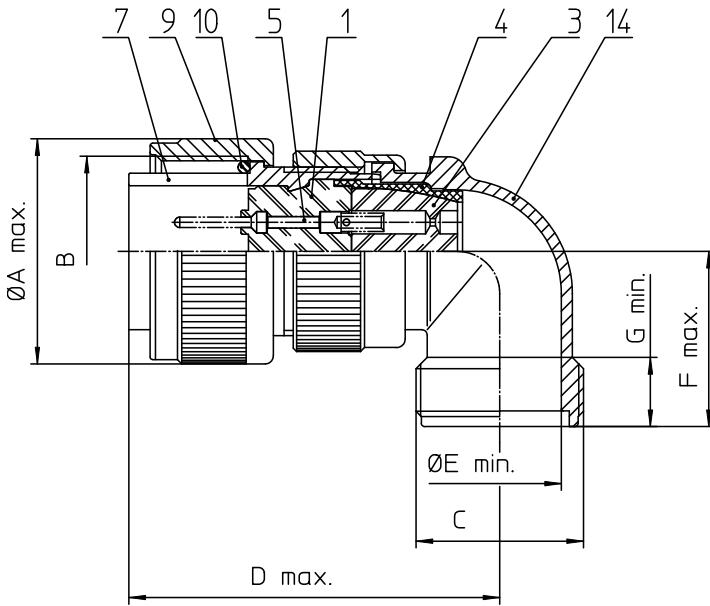
Stocking Distributor

Click to view price, real time Inventory, Delivery & Lifecycle Information:

[ITT Cannon, LLC](#)  
[CA3108F16-10PF80](#)

For any questions, you can email us directly:

[sales@integrated-circuit.com](mailto:sales@integrated-circuit.com)


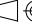
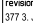


NO.	MASSE / DIMENSION
A	31.8
B	1-20UNEF-2B
C	7/8-20UNEF-2A
D	57
E	15.2
F	25
G	9.4

NO.	BESCHREIBUNG / DESCRIPTION
1	ISOLIERKÖRPER STIFT / INSULATOR PIN
3	DICHTKÖRPER / GROMMET
4	ENDRING / ENDRING
5	KONTAKTSTIFT/ CONTACT PIN
7	ZYLINDERGHÄUSE / BARREL
9	ÜBERWURFMUTTER / COUPLING NUT
10	DICHTRING FRONT / FRONT SEALING RING
14	F-ENDGEHÄUSE / F-ENDBELL

Note: Due to an automatic nomenclature system, numbers generated may not be sequential.  
Specification and Dimensions subject to change  
Drawings illustrate normal insulator positioning

Material Specification:	
Shell Material:	Aluminium alloy
Shell Plating:	Olive drab chromate coating over cadmium plating
Insulator Material:	Neoprene
Contact Material:	Copper alloy
Contact Plating:	Hard silver

all dimensions are in mm		drawing for	
Dimensions without tolerance indications are general tolerances in acc. with DIN 7168m		CUSTOMER	
 <b>ITT</b> <i>Engineered for life</i> <small>ITT CANNON CORP</small> <small>51104 Wiesbaden/Germany</small>	description	CA3108F16-10P-F80	
		Plug 90°	
		Endbell for flex tube	
	AWG Crimp / Pin / Layout: 16-10		
<small>© All rights reserved. Reproduction or issue in any form without the prior written authorization of ITT Cannon</small>		 page 1/1	 revision 377.3, Jul 16