



## **Excellent Integrated System Limited**

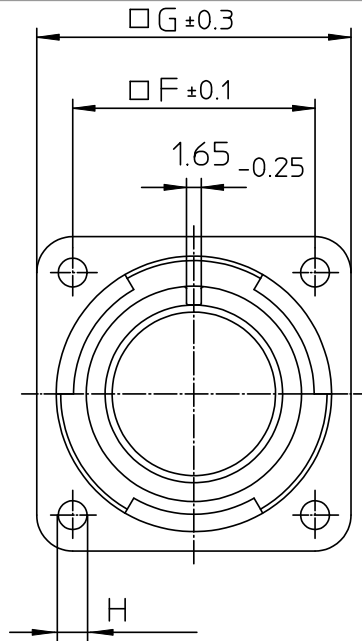
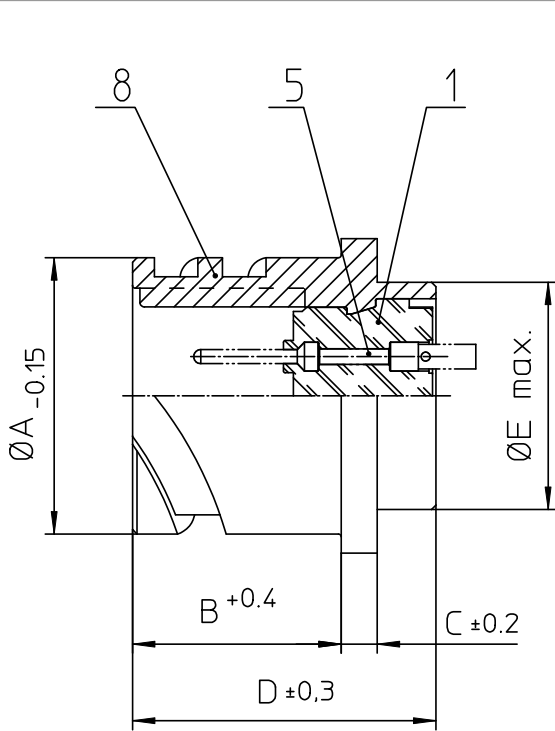
Stocking Distributor

Click to view price, real time Inventory, Delivery & Lifecycle Information:

[ITT Cannon, LLC](#)  
[CA3102E32A10PBF80-05](#)

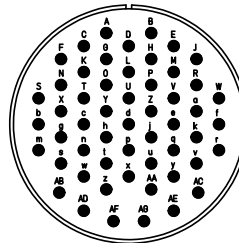
For any questions, you can email us directly:

[sales@integrated-circuit.com](mailto:sales@integrated-circuit.com)



NO.	MASSE / DIMENSION
A	53.4
B	24.05
C	4
D	33.8
E	47.8
F	44.5
G	57
H	4.3

NO.	BESCHREIBUNG / DESCRIPTION
1	ISOLIERKÖRPER STIFT / INSULATOR PIN
5	KONTAKTSTIFT/ CONTACT PIN
8	DOSENGEHÄUSE / SHELL



Note: Due to an automatic nomenclature system, numbers generated may not be sequential.
Specification and Dimensions subject to change Drawings illustrate normal insulator positioning
<b>Material Specification:</b>
Shell Material: Aluminium alloy
Shell Plating: Olive drab chromate over cadmium (conductive)
Insulator Material: CR-Elastomere
Contact Material: Copper alloy
Contact Plating: Hard silver

<b>all dimensions are in mm</b> Dimensions without tolerance indications are general tolerances in acc. with DIN7168m	drawing for <b>CUSTOMER</b>
<b>ITT</b> Engineered for life ITT CANNON GmbH D-11109 Berlin, Germany	description CA3102E32A10P-B-F80-05 Box mounting receptacle (rear mount, through holes)
© All rights reserved. Reproduction or use in any form without written authorization of ITT Cannon	AWG Crimp / Pin / Layout: 32A10 page 1/1 revision 786 4. Jul 16