



## **Excellent Integrated System Limited**

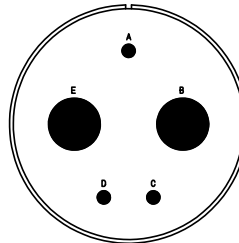
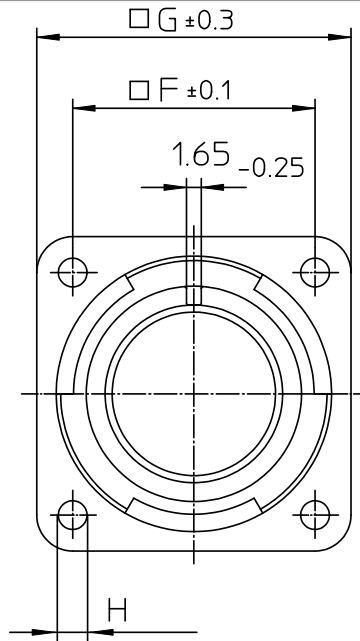
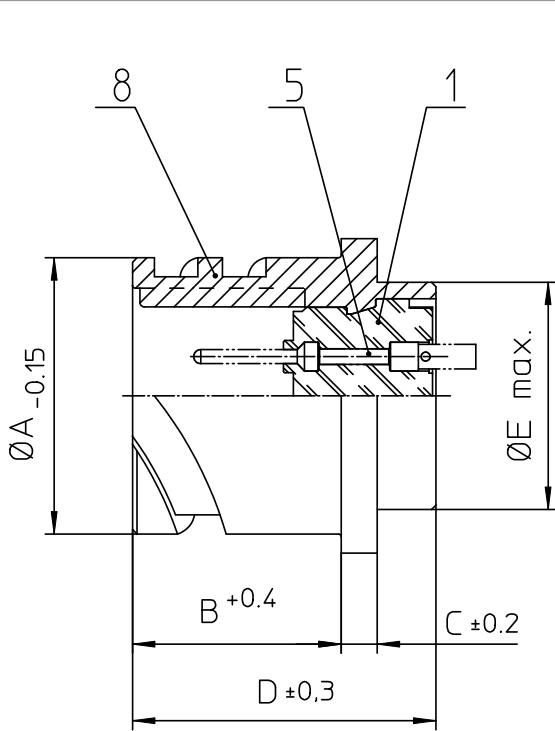
Stocking Distributor

Click to view price, real time Inventory, Delivery & Lifecycle Information:

[ITT Cannon, LLC](#)  
[CA3102E32-1PB05](#)

For any questions, you can email us directly:

[sales@integrated-circuit.com](mailto:sales@integrated-circuit.com)



NO.	MASSE / DIMENSION
A	53.4
B	24.05
C	4
D	33.8
E	47.8
F	44.5
G	57
H	4.3

NO.	BESCHREIBUNG / DESCRIPTION
1	ISOLIERKÖRPER STIFT / INSULATOR PIN
5	KONTAKTSTIFT/ CONTACT PIN
8	DOSENGEHÄUSE / SHELL

Note: Due to an automatic nomenclature system, numbers generated may not be sequential.  
 \*Specification and Dimensions subject to change  
 Drawings illustrate normal insulator positioning

Material Specification:	
Shell Material:	Aluminium alloy
Shell Plating:	Olive drab chromate over cadmium (conductive)
Insulator Material:	CR-Elastomere
Contact Material:	Copper alloy
Contact Plating:	Hard silver

**all dimensions are in mm**  
 Dimensions without tolerance indications are general tolerances in acc. with DIN7188m

**drawing for**  
 CUSTOMER

**ITT**  
 Engineered for life  
 ITT CANONICAL GROUP  
 51-111881-1/Rev.05/09/2016

description CA3102E32-1P-B-05  
 Box mounting receptacle (rear mount, through holes)

Solder Cup / Pin / Layout: 32-1

© All rights reserved. Reproduction or use in any form without prior written authorization of ITT Cannon

page 1/1 revision 786 4. Jul 16