



Excellent Integrated System Limited

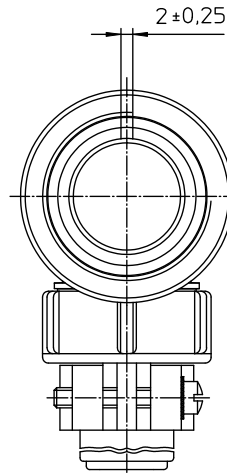
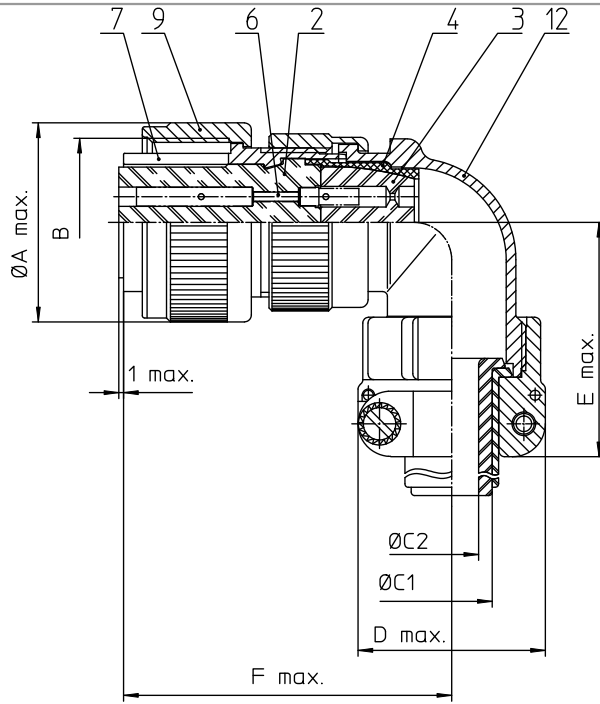
Stocking Distributor

Click to view price, real time Inventory, Delivery & Lifecycle Information:

[ITT Cannon, LLC](#)
[CA3108E10SL-4SF80](#)

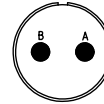
For any questions, you can email us directly:

sales@integrated-circuit.com



NO.	MASSE / DIMENSION
A	24.1
B	5/8-24NEF-2B
C1	6.6
C2	-
D	22.7
E	42
F	45

NO.	BESCHREIBUNG / DESCRIPTION
2	ISOLIERKÖRPER BUCHSE / INSULATOR SOCKET
3	DICHTKÖRPER / GROMMET
4	ENDRING / ENDRING
6	KONTAKTBUCHSE / CONTACT SOCKET
7	ZYLINDERGHÄUSE / BARREL
9	ÜBERWURFMUTTER / COUPLING NUT
12	ENDGEHÄUSE / ENDBELL



Note: Due to an automatic nomenclature system, numbers generated may not be sequential.
Specification and Dimensions subject to change Drawings illustrate normal insulator positioning
Material Specification:
Shell Material: Aluminium alloy
Shell Plating: Olive drab chromate coating over cadmium plating
Insulator Material: Neoprene
Contact Material: Copper alloy
Contact Plating: Hard silver

all dimensions are in mm
Dimensions without tolerance indications are general tolerances in acc. with DIN7150m

drawing for
CUSTOMER

ITT
Engineered for life
ITT CANNON GROUP
17108 Woodbridge, VA

description CA3108E10SL-4S-F80
Plug 90°
Endbell with clamp and bushing
AWG Crimp / Socket / Layout: 10SL-4

© All rights reserved. Reproduction or reuse in any form without the prior written authorization of ITT Cannon

page 1/1
revision 377.3, Jul 16