



Distributor of ITT Cannon, LLC: Excellent Integrated System Limited
Datasheet of CA3102E28-21SYB05 - CONN RCPT 37 POS BOX MNT W/SKTS
Contact us: sales@integrated-circuit.com Website: www.integrated-circuit.com

Excellent Integrated System Limited

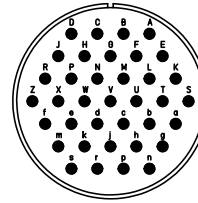
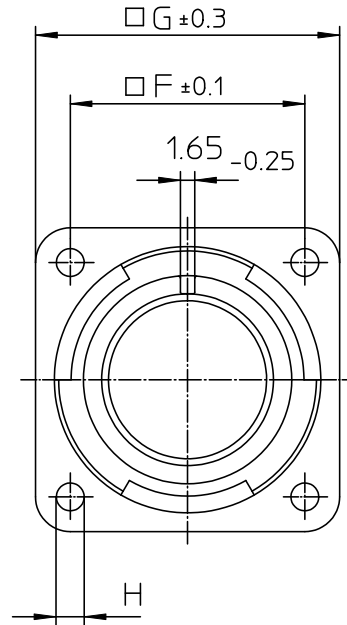
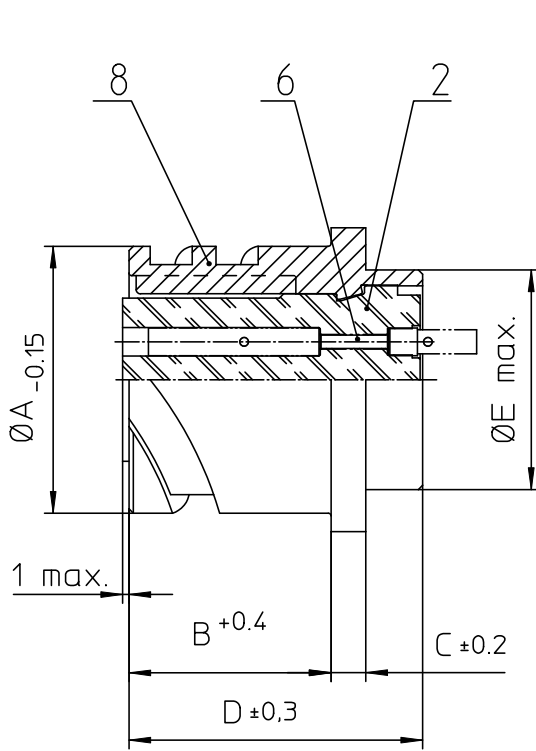
Stocking Distributor

Click to view price, real time Inventory, Delivery & Lifecycle Information:

[ITT Cannon, LLC](#)
[CA3102E28-21SYB05](#)

For any questions, you can email us directly:

sales@integrated-circuit.com



| NO. | MASSE / DIMENSION |
|-----|-------------------|
| A | 46.7 |
| B | 24.05 |
| C | 4 |
| D | 33.8 |
| E | 41.4 |
| F | 39.7 |
| G | 50.8 |
| H | 3.7 |

| NO. | BESCHREIBUNG / DESCRIPTION |
|-----|---|
| 2 | ISOLIERKÖRPER BUCHSE / INSULATOR SOCKET |
| 6 | KONTAKTBUCHSE / CONTACT SOCKET |
| 8 | DOSENGEHÄUSE / SHELL |

Note: Due to an automatic nomenclature system, numbers generated may not be sequential.
Specification and Dimensions subject to change
Drawings illustrate normal insulator positioning

| Material Specification: | |
|-------------------------|---|
| Shell Material: | Aluminium alloy |
| Shell Plating: | Olive drab chromate over cadmium (conductive) |
| Insulator Material: | CR-Elastomere |
| Contact Material: | Copper alloy |
| Contact Plating: | Hard silver |

all dimensions are in mm
Dimensions without tolerance indications are general tolerances in acc. with DIN7168m

drawing for
CUSTOMER



Engineered for life
ITT CANNON GROUP
51-71366-1000 Germany

description CA3102E28-21SYB-05
Box mounting receptacle (rear mount, through holes)

Solder Cup / Socket / Layout: 28-21

© All rights reserved. Reproduction or use in any form without written authorization of ITT Cannon

page 1/1 revision 786 4. Jul 16