



Distributor of ITT Cannon, LLC: Excellent Integrated System Limited

Datasheet of CA3108F18-19PBF80 - CONN PLUG 10POS RT ANG W/PINS

Contact us: sales@integrated-circuit.com Website: www.integrated-circuit.com

Excellent Integrated System Limited

Stocking Distributor

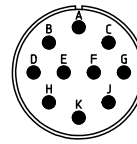
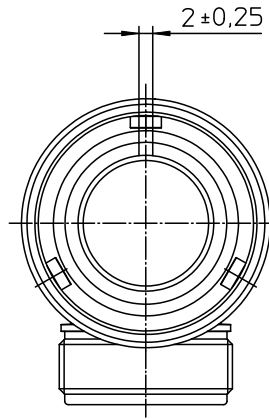
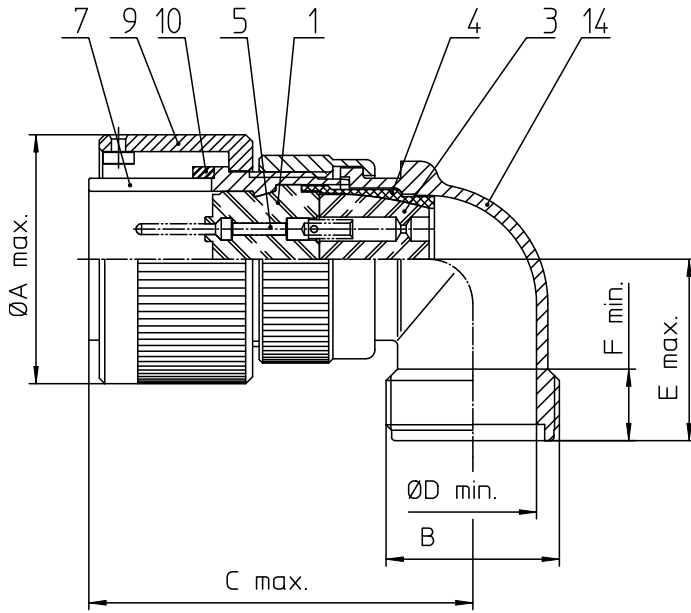
Click to view price, real time Inventory, Delivery & Lifecycle Information:

[ITT Cannon, LLC](#)

[CA3108F18-19PBF80](#)

For any questions, you can email us directly:

sales@integrated-circuit.com



NO.	MASSE / DIMENSION
A	36.5
B	1-20UNEF-2A
C	58
D	18.3
E	27
F	9.4

NO.	BESCHREIBUNG / DESCRIPTION
1	ISOLIERKÖRPER STIFT / INSULATOR PIN
3	DICHTKÖRPER / GROMMET
4	ENDRING / ENDRING
5	KONTAKTSTIFT / CONTACT PIN
7	ZYLINDERGHÄUSE / BARREL
9	ÜBERWURFMUTTER / COUPLING NUT
10	DICHTRING FRONT / FRONT SEALING RING
14	F-ENDGEHÄUSE / F-ENDBELL

<p>Note: Due to an automatic nomenclature system, numbers generated may not be sequential.</p> <p>Specification and Dimensions subject to change Drawings illustrate normal insulator positioning</p>	
<p>Material Specification:</p> <p>Shell Material: Aluminium alloy</p> <p>Shell Plating: Olive drab chromate over cadmium (conductive)</p> <p>Insulator Material: CR-Elastomere</p> <p>Contact Material: Copper alloy</p> <p>Contact Plating: Hard silver</p>	

<p>all dimensions are in mm Dimensions without tolerance indications are general tolerances in acc. with DIN7168m</p> <p>ITT Engineered for life ITT CANON CORP. 5-71385 Wiesbaden/Germany</p> <p>© All rights reserved. Reproduction or use in any form without the written authorization of ITT Cannon</p>	<p>description CA3108F18-19P-B-F80 Plug, 90° Endbell for flex tube AWG Crimp / Pin / Layout: 18-19</p>	<p>drawing for CUSTOMER</p> <p>page 1/1 revision 796 4, Jul 16</p>
---	--	--