

## Excellent Integrated System Limited

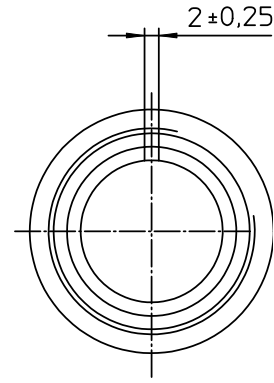
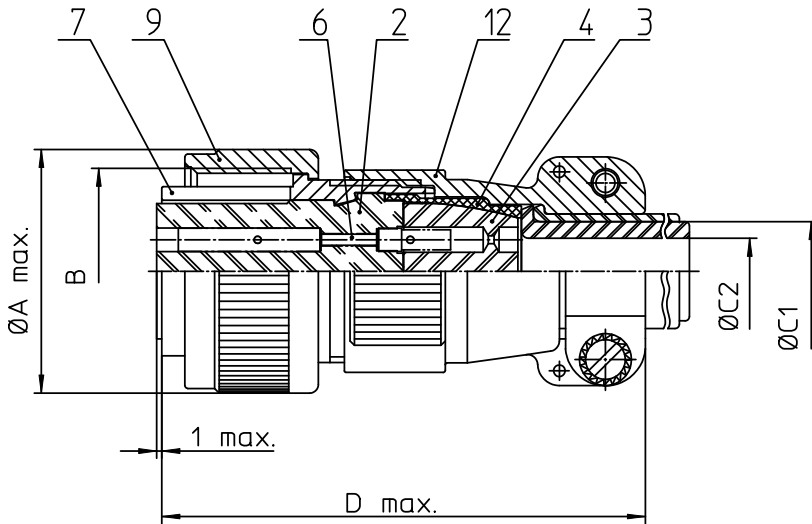
Stocking Distributor

Click to view price, real time Inventory, Delivery & Lifecycle Information:

[ITT Cannon, LLC](#)  
[CA3106E20-29SF80A206](#)

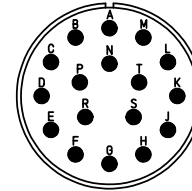
For any questions, you can email us directly:

[sales@integrated-circuit.com](mailto:sales@integrated-circuit.com)



NO.	MASSE / DIMENSION
A	37.4
B	1 1/4-18NEF-2B
C1	15.9
C2	-
D	68


NO.	BESCHREIBUNG / DESCRIPTION
2	ISOLIERKÖRPER BUCHSE / INSULATOR SOCKET
3	DICHTKÖRPER / GROMMET
4	ENDRING / ENDRING
6	KONTAKTBUCHSE / CONTACT SOCKET
7	ZYLINDERGHÄUSE / BARREL
9	ÜBERWURFMUTTER / COUPLING NUT
12	ENDGEHÄUSE / ENDBELL



Note: Due to an automatic nomenclature system, numbers generated may not be sequential.

Specification and Dimensions subject to change  
Drawings illustrate normal insulator positioning

Material Specification:
Shell Material: Aluminium alloy
Shell Plating: Black Zinc Cobalt (conductive)
Insulator Material: Neoprene
Contact Material: Copper alloy
Contact Plating: Hard silver

all dimensions are in mm		drawing for			
Dimensions without tolerance indications are general tolerances in acc. with DIN7168m		CUSTOMER			
 <b>ITT</b> <i>Engineered for life</i> <small>ITT CANNON GERMANY D-75384 MersmannsGermany</small>	description				
	CA3106E20-29S-F80-A206				
	Plug, straight Endbell with clamp and bushing AWG Crimp / Socket / Layout: 20-29				
<small>© All rights reserved. Reproduction or issue to third in any form whatever is only permitted with written authorization of ITT Cannon.</small>	<table border="1"> <tr> <td>page</td> <td>revision</td> </tr> <tr> <td>1/1</td> <td>377.3, Jul 16</td> </tr> </table>	page	revision	1/1	377.3, Jul 16
page	revision				
1/1	377.3, Jul 16				