



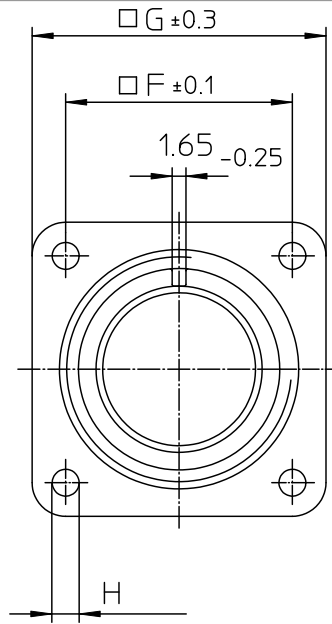
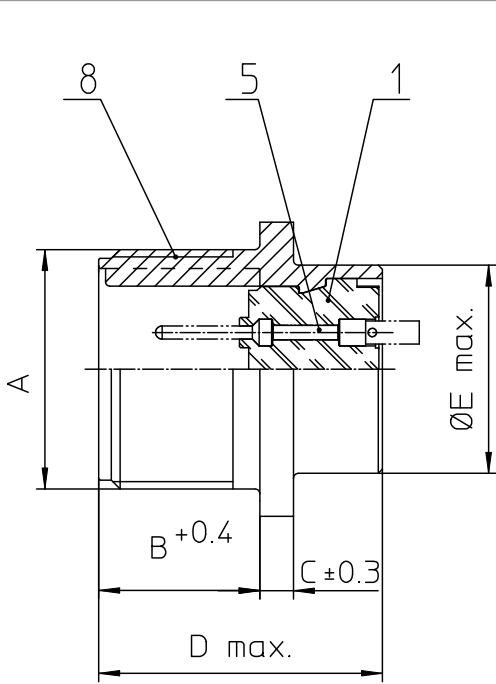
## **Excellent Integrated System Limited**

Stocking Distributor

Click to view price, real time Inventory, Delivery & Lifecycle Information:

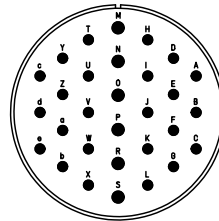
[ITT Cannon, LLC](#)  
[CA3102E32-8PF80](#)

For any questions, you can email us directly:  
[sales@integrated-circuit.com](mailto:sales@integrated-circuit.com)



NO.	MASSE / DIMENSION
A	2-18NS-2A
B	22.2
C	4
D	34.2
E	47.6
F	44.5
G	57
H	4.4

NO.	BESCHREIBUNG / DESCRIPTION
1	ISOLIERKÖRPER STIFT / INSULATOR PIN
5	KONTAKTSTIFT / CONTACT PIN
8	DOSENGEHÄUSE / SHELL



<p>Note: Due to an automatic nomenclature system, numbers generated may not be sequential. Specification and Dimensions subject to change Drawings illustrate normal insulator positioning</p>	
Material Specification: _____	
Shell Material: Aluminium alloy	
Shell Plating: Olive drab chromate coating over cadmium plating	
Insulator Material: Neoprene	
Contact Material: Copper alloy	
Contact Plating: Hard silver	

<p>all dimensions are in mm Dimensions without tolerance indications are general tolerances in acc. with DIN71688m</p>	<p>drawing for CUSTOMER</p>
<p><b>ITT</b> Engineered for life ITT CANON/CA3102E32-8PF80 D: 71384 Wiesbaden/Germany</p>	<p>description CA3102E32-8P-F80 Box mounting receptacle AWG Crimp / Pin / Layout: 32-8</p>
<p>© All rights reserved. Reproduction or issue to third in any form without the prior written authorization of ITT Cannon</p>	<p>page 1/1 revision 3773, Jul 16</p>