



Excellent Integrated System Limited

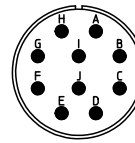
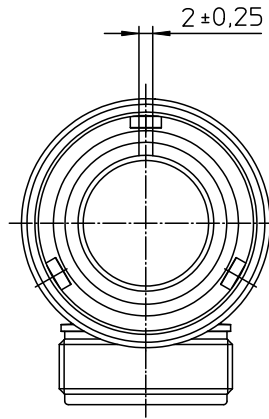
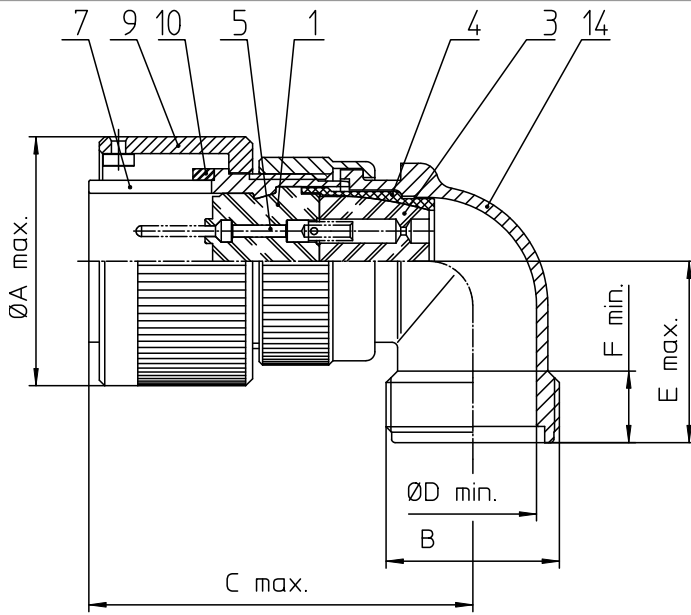
Stocking Distributor

Click to view price, real time Inventory, Delivery & Lifecycle Information:

[ITT Cannon, LLC](#)
[CA3108F18-1PBF80A176](#)

For any questions, you can email us directly:


sales@integrated-circuit.com



NO.	MASSE / DIMENSION
A	36.5
B	1-20UNEF-2A
C	58
D	18.3
E	27
F	9.4

NO.	BESCHREIBUNG / DESCRIPTION
1	ISOLIERKÖRPER STIFT / INSULATOR PIN
3	DICHTKÖRPER / GROMMET
4	ENDRING / ENDRING
5	KONTAKTSTIFT / CONTACT PIN
7	ZYLINDERGHÄUSE / BARREL
9	ÜBERWURFMUTTER / COUPLING NUT
10	DICHTRING FRONT / FRONT SEALING RING
14	F-ENDGEHÄUSE / F-ENDBELL

Note: Due to an automatic nomenclature system, numbers generated may not be sequential. Specification and Dimensions subject to change Drawings illustrate normal insulator positioning	
Material Specification: Shell Material: Aluminium alloy Shell Plating: Olive drab chromate over cadmium (conductive) Insulator Material: CR-Elastomere Contact Material: Copper alloy Contact Plating: Gold 0,5 µm	

all dimensions are in mm Dimensions without tolerance indications are general tolerances in acc. with DIN7188m	drawing for CUSTOMER
 ITT Engineered for life ITT CANON CRMPH D-71384 Weinstadt Germany	description CA3108F18-1P-B-F80-A176 Plug, 90° Endbell for flex tube AWG Crimp / Pin / Layout: 18-1
© All rights reserved. Reproduction or use in any form without the written authorization of ITT Cannon	page 1/1 revision 796 4, Jul 16