

Excellent Integrated System Limited

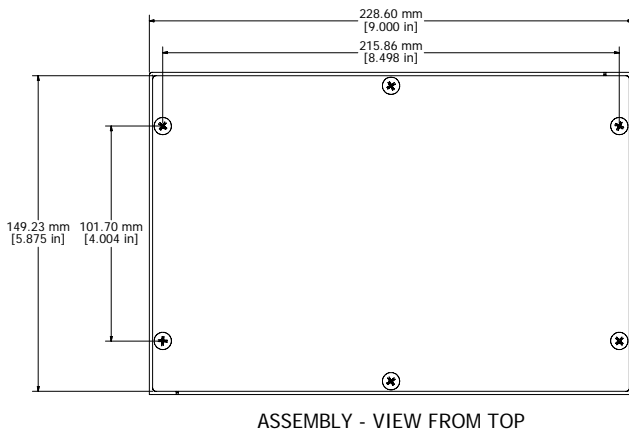
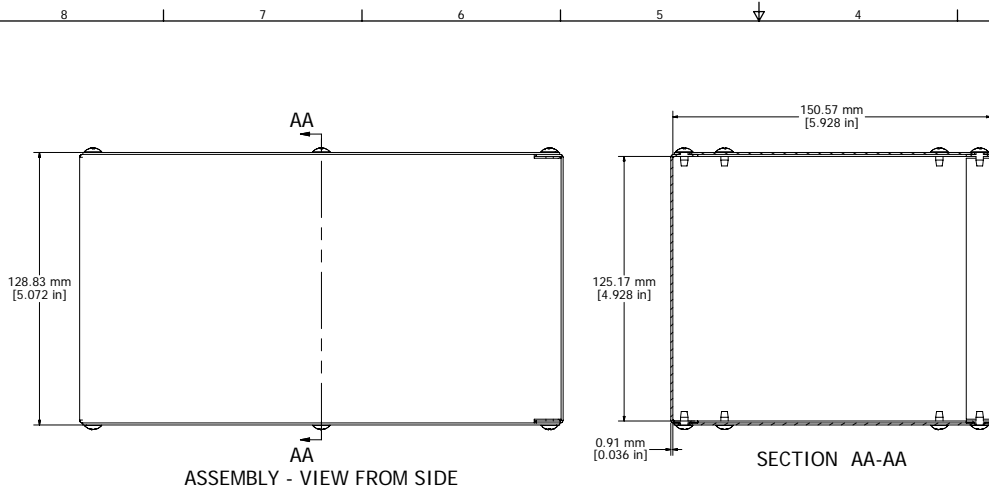
Stocking Distributor

Click to view price, real time Inventory, Delivery & Lifecycle Information:

[Hammond Manufacturing](#)
[1415E](#)

For any questions, you can email us directly:

sales@integrated-circuit.com



- ASA 61 GREY POWDER PAINTED 0.036" 20 GAUGE STEEL BODY
- TWELVE 6-32 NICKEL PLATED SCREWS
- EXTRA SCREWS - 1421J6 (6-32 x 1/4 SHEET METAL SCREWS)

Contact Factory mjm@hammondmfg.com for quotes
Enclosures can be Factory Modified (Milling, Drilling, Printing etc.)
Solid models of this enclosure available in STEP or IGES.



**HAMMOND
MANUFACTURING™**

1415E

www.hammondmfg.com