



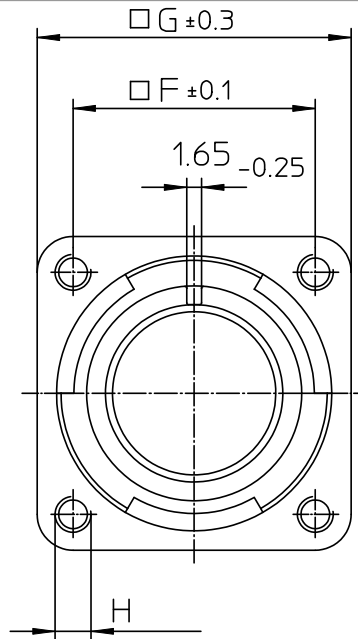
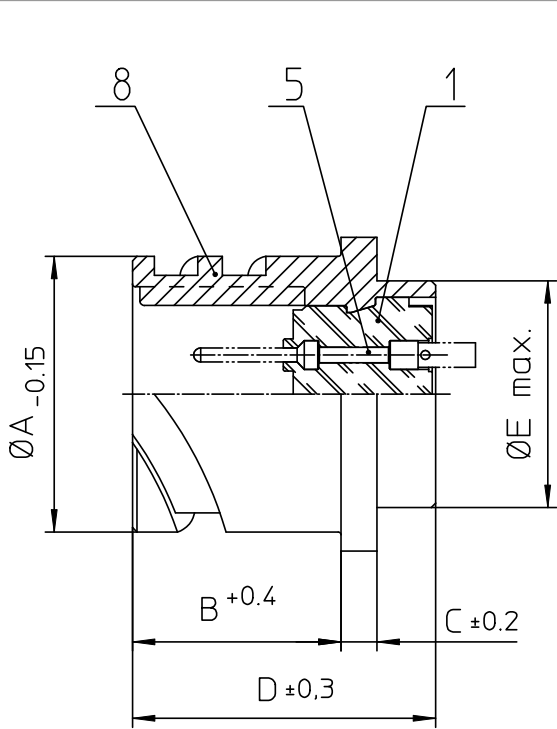
Excellent Integrated System Limited

Stocking Distributor

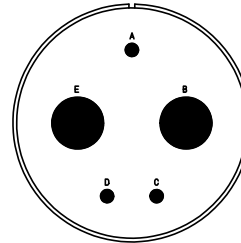
Click to view price, real time Inventory, Delivery & Lifecycle Information:

[ITT Cannon, LLC](#)
[CA3102E32-1PB109](#)

For any questions, you can email us directly:
sales@integrated-circuit.com



NO.	MASSE / DIMENSION
A	53.4
B	24.05
C	4
D	33.8
E	47.8
F	44.5
G	57
H	M5



NO.	BESCHREIBUNG / DESCRIPTION
1	ISOLIERKÖRPER STIFT / INSULATOR PIN
5	KONTAKTSTIFT / CONTACT PIN
8	DOSENGEHÄUSE / SHELL

Note: Due to an automatic nomenclature system, numbers generated may not be sequential.
Specification and Dimensions subject to change
Drawings illustrate normal insulator positioning

Material Specification:
Shell Material: Aluminium alloy
Shell Plating: Olive drab chromate over cadmium (conductive)
Insulator Material: CR-Elastomere
Contact Material: Copper alloy
Contact Plating: Hard silver

all dimensions are in mm

Dimensions without tolerance indications are general tolerances in acc. with DIN7168m

drawing for
CUSTOMER



description CA3102E32-1P-B-109
Box mounting receptacle (rear mount, threaded holes)

Engineered for life
ITT CANNON GROUP
D-71284 Weinstadt-Göppingen

AWG Crimp / Pin / Layout: 32-1

© All rights reserved. Reproduction or use in third in any form without prior written authorization of ITT Cannon. page 1/1 revision 786 4. Jul 16