



Excellent Integrated System Limited

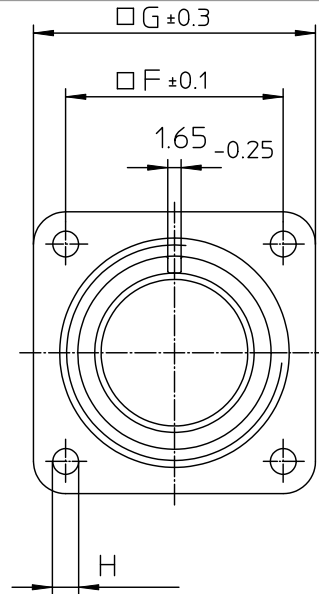
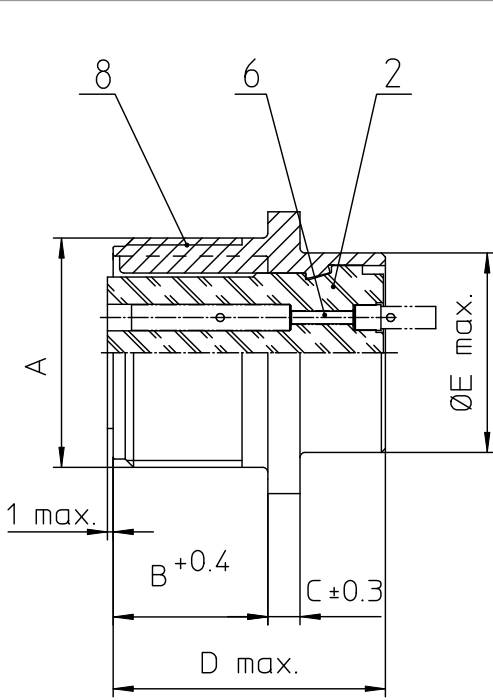
Stocking Distributor

Click to view price, real time Inventory, Delivery & Lifecycle Information:

[ITT Cannon, LLC](#)
[CA3102E32-7SF80](#)

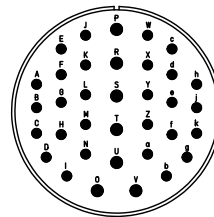
For any questions, you can email us directly:

sales@integrated-circuit.com



NO.	MASSE / DIMENSION
A	2-18NS-2A
B	22.2
C	4
D	34.2
E	47.6
F	44.5
G	57
H	4.4

NO.	BESCHREIBUNG / DESCRIPTION
2	ISOLIERKÖRPER BUCHSE / INSULATOR SOCKET
6	KONTAKTBUCHSE / CONTACT SOCKET
8	DOSENGEHÄUSE / SHELL



Note: Due to an automatic nomenclature system, numbers generated may not be sequential. Specification and Dimensions subject to change Drawings illustrate normal insulator positioning
Material Specification:
Shell Material: Aluminium alloy
Shell Plating: Olive drab chromate coating over cadmium plating
Insulator Material: Neoprene
Contact Material: Copper alloy
Contact Plating: Hard silver

all dimensions are in mm Dimensions without tolerance indications are general tolerances in acc. with DIN7168m	drawing for CUSTOMER
description CA3102E32-7S-F80 Box mounting receptacle	
AWG Crimp / Socket / Layout: 32-7	
<small>© All rights reserved. Reproduction or use in any form without written authorization of ITT Cannon</small>	page 1/1 revision 377.3, Jul 16