



Excellent Integrated System Limited

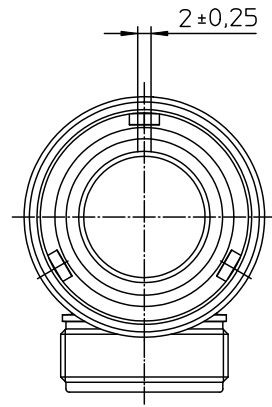
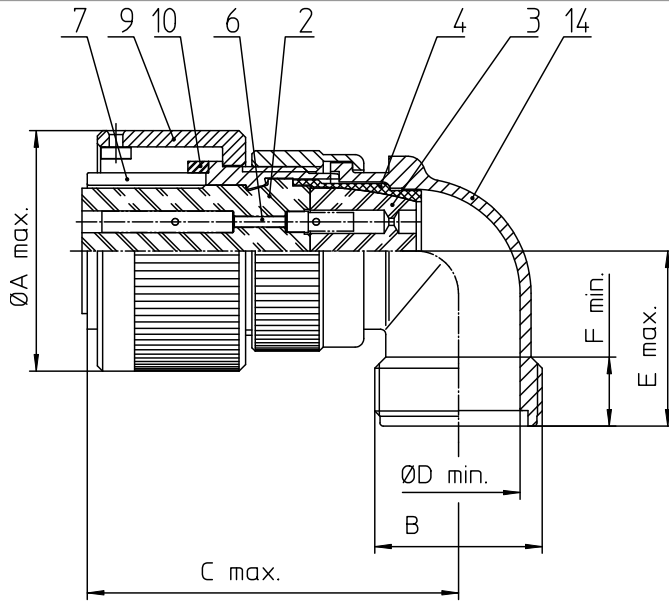
Stocking Distributor

Click to view price, real time Inventory, Delivery & Lifecycle Information:

[ITT Cannon, LLC](#)
[CA3108F18-4SB15](#)

For any questions, you can email us directly:

sales@integrated-circuit.com


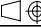


NO.	MASSE / DIMENSION
A	36.5
B	1-20UNEF-2A
C	58
D	18.3
E	27
F	9.4

NO.	BESCHREIBUNG / DESCRIPTION
2	ISOLIERKÖRPER BUCHSE / INSULATOR SOCKET
3	DICHTKÖRPER / GROMMET
4	ENDRING / ENDRING
6	KONTAKTBUCHSE / CONTACT SOCKET
7	ZYLINDERGHÄUSE / BARREL
9	ÜBERWURFMUTTER / COUPLING NUT
10	DICHTRING FRONT / FRONT SEALING RING
11	SCHIRMKRANZ/SHIELDING BRAID
14	F-ENDGEHÄUSE / F-ENDBELL

Note: Due to an automatic nomenclature system, numbers generated may not be sequential.
Specification and Dimensions subject to change
Drawings illustrate normal insulator positioning

Material Specification	
Shell Material:	Aluminium alloy
Shell Plating:	Olive drab chromate over cadmium (conductive)
Insulator Material:	CR-Elastomere
Contact Material:	Copper alloy
Contact Plating:	Hard silver

all dimensions are in mm		drawing for	
Dimensions without tolerance indications are general tolerances in acc. with DIN7168m		CUSTOMER	
 ITT <i>Engineered for life</i> <small>ITT CANNON CORP.</small> <small>57381 WenzelGermany</small>	description	CA3108F18-4S-B-15	
		Plug, 90° shielded	
		Shielded with endbell for shielded braids & heat shrinkable boots	
	AWG Crimp / Socket / Layout: 18-4		
<small>© All rights reserved. Reproduction or issue to third in any form without the prior written authorization of ITT Cannon</small>			page 1/1 revision 788 4, Jul 16