



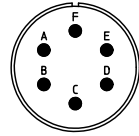
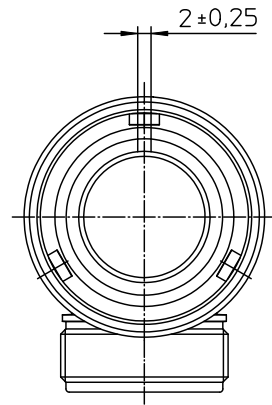
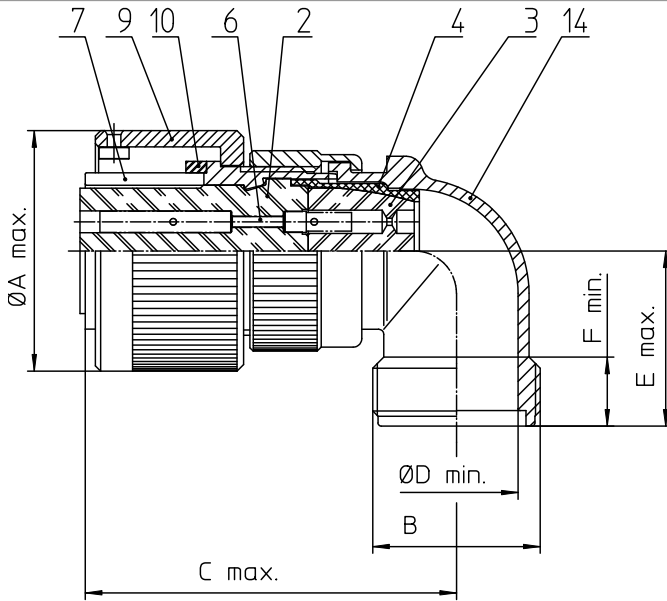
Excellent Integrated System Limited

Stocking Distributor

Click to view price, real time Inventory, Delivery & Lifecycle Information:

[ITT Cannon, LLC](#)
[CA3108F18-12SB15](#)

For any questions, you can email us directly:
sales@integrated-circuit.com



| NO. | MASSE / DIMENSION |
|-----|-------------------|
| A | 36.5 |
| B | 1-20UNEF-2A |
| C | 58 |
| D | 18.3 |
| E | 27 |
| F | 9.4 |

| NO. | BESCHREIBUNG / DESCRIPTION |
|-----|---|
| 2 | ISOLIERKÖRPER BUCHSE / INSULATOR SOCKET |
| 3 | DICHTKÖRPER / GROMMET |
| 4 | ENDRING / ENDRING |
| 6 | KONTAKTBUCHSE / CONTACT SOCKET |
| 7 | ZYLINDERGHÄUSE / BARREL |
| 9 | ÜBERWURFMUTTER / COUPLING NUT |
| 10 | DICHTRING FRONT / FRONT SEALING RING |
| 11 | SCHIRMKRANZ / SHIELDING BRAID |
| 14 | F-ENDGEHÄUSE / F-ENDBELL |

Note: Due to an automatic nomenclature system, numbers generated may not be sequential.
Specification and Dimensions subject to change
Drawings illustrate normal insulator positioning

| | |
|-------------------------|---|
| Material Specification: | |
| Shell Material: | Aluminium alloy |
| Shell Plating: | Olive drab chromate over cadmium (conductive) |
| Insulator Material: | CR-Elastomere |
| Contact Material: | Copper alloy |
| Contact Plating: | Hard silver |

| | | |
|--|---|--|
| <p>ITT Engineered for life ITT CANNON CORP. 57381 Wenzel Germany</p> | <p>description CA3108F18-12S-B-15 Plug, 90° shielded Shielded with endbell for shielded braids & heat shrinkable boots AWG Crimp / Socket / Layout: 18-12</p> | <p>drawing for CUSTOMER</p> |
| <p>© All rights reserved. Reproduction or issue to third in any form without prior written authorization of ITT Cannon</p> | | <p>page 1/1 revision 788 4. Jul 16</p> |