



## **Excellent Integrated System Limited**

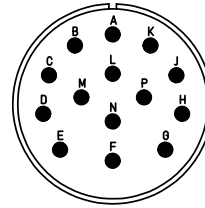
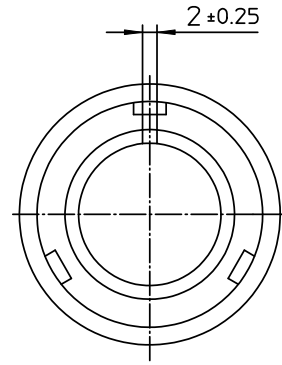
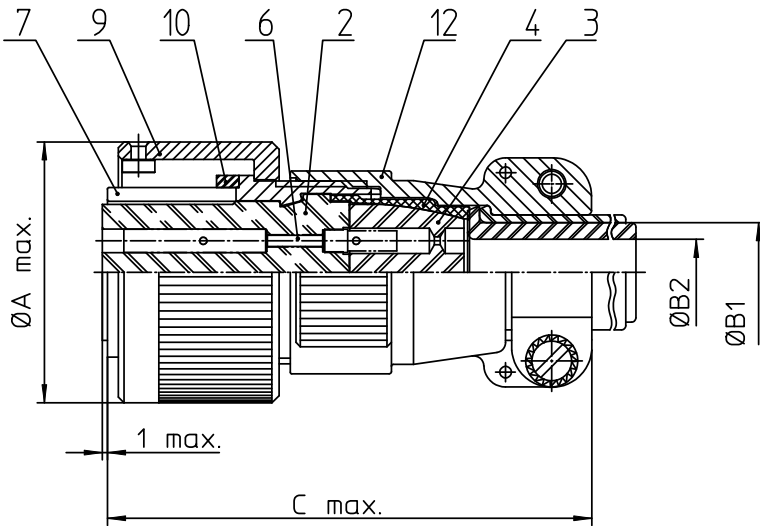
Stocking Distributor

Click to view price, real time Inventory, Delivery & Lifecycle Information:

[ITT Cannon, LLC](#)  
[CA3106E22-19SB](#)

For any questions, you can email us directly:

[sales@integrated-circuit.com](mailto:sales@integrated-circuit.com)





| NO. | MASSE / DIMENSION |
|-----|-------------------|
| A   | 43.1              |
| B1  | 15.9              |
| B2  | -                 |
| C   | 68                |

| NO. | BESCHREIBUNG / DESCRIPTION              |
|-----|---|
| 2   | ISOLIERKÖRPER BUCHSE / INSULATOR SOCKET |
| 3   | DICHTKÖRPER / GROMMET                   |
| 4   | ENDRING / ENDRING                       |
| 6   | KONTAKTBUCHSE / CONTACT SOCKET          |
| 7   | ZYLINDERGHÄUSE / BARREL                 |
| 9   | ÜBERWURFMUTTER / COUPLING NUT           |
| 10  | DICHTRING FRONT / FRONT SEALING RING    |
| 12  | ENDGEHÄUSE / ENDBELL                    |

Note: Due to an automatic nomenclature system, numbers generated may not be sequential.  
Specification and Dimensions subject to change  
Drawings illustrate normal insulator positioning

| Material Specification: |   |
|-------------------------|---|
| Shell Material:         | Aluminium alloy                               |
| Shell Plating:          | Olive drab chromate over cadmium (conductive) |
| Insulator Material:     | CR-Elastomere                                 |
| Contact Material:       | Copper alloy                                  |
| Contact Plating:        | Hard silver                                   |

| all dimensions are in mm  |             | Dimensions without tolerance indications are general tolerances in acc. with DIN7168m          | drawing for<br>CUSTOMER |
|---|-------------|--|-------------------------|
| <br><b>ITT</b><br>Engineered for life<br><small>ITT CANNON GmbH<br/>D-71284 Vörscheid, Germany</small> | description | CA3106E22-19S-B  |                         |
|   |             | Plug, straight   |                         |
|   |             | Endbell with clamp and bushing   |                         |
|   |             | Solder Cup / Socket / Layout: 22-19  |                         |
| <small>© All rights reserved. Reproduction or issue to third in any form<br/>whenever is only permitted with written authorization of ITT Cannon</small>                                    |             |  page 1/1 | revision 786 4. Jul 16  |