



**Distributor of ITT Cannon, LLC: Excellent Integrated System Limited**  
Datasheet of CA3102E36-10SBA176 - CONN RCPT 48 POS BOX MNT W/SKTS  
Contact us: [sales@integrated-circuit.com](mailto:sales@integrated-circuit.com) Website: [www.integrated-circuit.com](http://www.integrated-circuit.com)

---

## **Excellent Integrated System Limited**

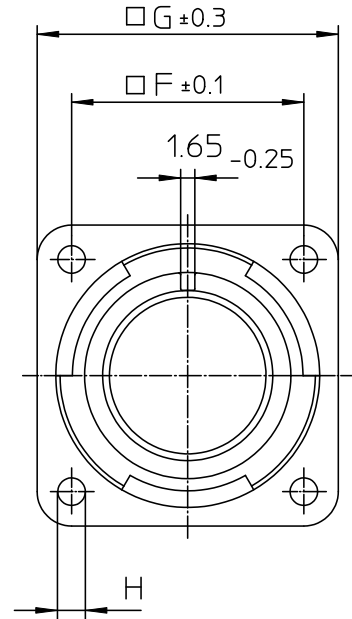
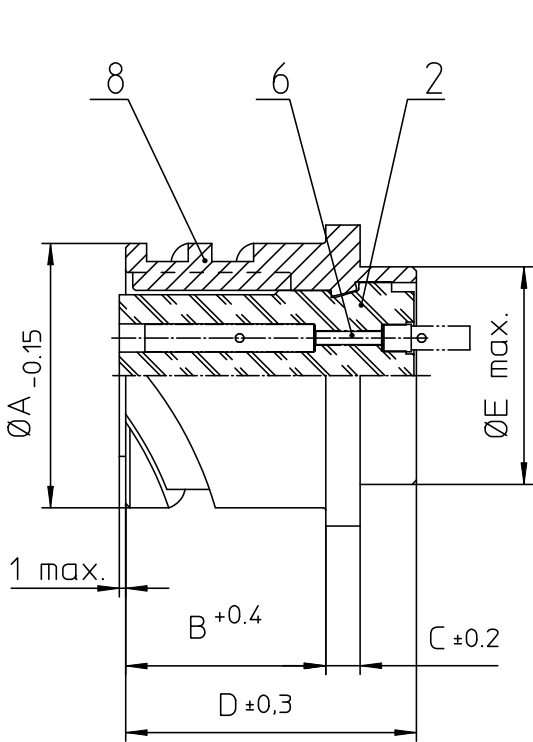
Stocking Distributor

Click to view price, real time Inventory, Delivery & Lifecycle Information:

[ITT Cannon, LLC](#)  
[CA3102E36-10SBA176](#)

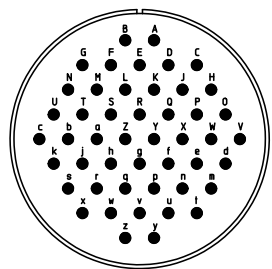
For any questions, you can email us directly:

[sales@integrated-circuit.com](mailto:sales@integrated-circuit.com)



NO.	MASSE / DIMENSION
A	59.6
B	22.2
C	4
D	33.8
E	52.6
F	49.2
G	63.5
H	4.3

NO.	BESCHREIBUNG / DESCRIPTION
2	ISOLIERKÖRPER BUCHSE / INSULATOR SOCKET
6	KONTAKTBUCHSE / CONTACT SOCKET
8	DOSENGEHÄUSE / SHELL



Note: Due to an automatic nomenclature system, numbers generated may not be sequential.  
 Specification and Dimensions subject to change  
 Drawings illustrate normal insulator positioning

**Material Specification:**  
 Shell Material: Aluminium alloy  
 Shell Plating: Olive drab chromate over cadmium (conductive)  
 Insulator Material: CR-Elastomere  
 Contact Material: Copper alloy  
 Contact Plating: Gold 0.5 µm

all dimensions are in mm  
 Dimensions without tolerance indications are general tolerances in acc. with DIN7168m

description CA3102E36-10S-B-A176  
 Box mounting receptacle

Solder Cup / Socket / Layout: 36-10

drawing for CUSTOMER

ITT  
 Engineered for life  
 ITT CANNON GmbH  
 D-71334 Heilbronn Germany

© All rights reserved. Reproduction or issue to third in any form whatever is only permitted with written authorization of ITT Cannon

page 1/1  
 revision 786 4. Jul 16