



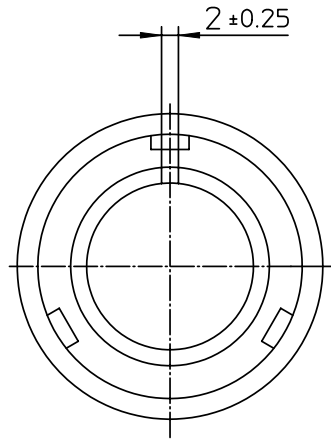
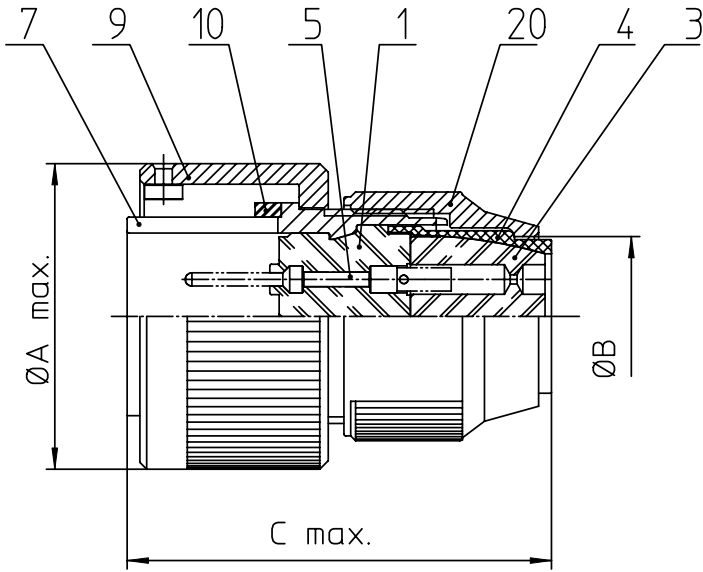
Excellent Integrated System Limited

Stocking Distributor

Click to view price, real time Inventory, Delivery & Lifecycle Information:

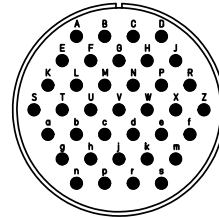
[ITT Cannon, LLC](#)
[CA3106R28-21PBF80A232](#)

For any questions, you can email us directly:
sales@integrated-circuit.com




NO.	MASSE / DIMENSION
A	53.4
B	31.6
C	53

NO.	BESCHREIBUNG / DESCRIPTION
1	ISOLIERKÖRPER STIFT / INSULATOR PIN
3	DICHTKÖRPER / GROMMET
4	ENDRING / ENDRING
5	KONTAKTSTIFT / CONTACT PIN
7	ZYLINDERGHÄUSE / BARREL
9	ÜBERWURFMUTTER / COUPLING NUT
10	DICHTRING FRONT / FRONT SEALING RING
20	KURZES ENDGEHÄUSE / SHORT ENDBELL



Note: Due to an automatic nomenclature system, numbers generated may not be sequential.
 Specification and Dimensions subject to change
 Drawings illustrate normal insulator positioning

Material Specification:	
Shell Material:	Aluminium alloy
Shell Plating:	Zinc cobalt, black (conductive)
Insulator Material:	CR-Elastomere
Contact Material:	Copper alloy
Contact Plating:	Hard silver

all dimensions are in mm Dimensions without tolerance indications are general tolerances in acc. with DIN7168m		drawing for CUSTOMER
 ITT Engineered for life <small>ITT CANNON GmbH D-73504 Winnenden/Germany</small>	description	CA3106R28-21P-B-F80-A232
		Plug, straight Shortened light-weight endbell without cable clamp AWG Crimp / Pin / Layout: 28-21
<small>© All rights reserved. Reproduction or issue in third in any form whatever is only permitted with written authorization of ITT Cannon</small>	<small>page</small> 1/1	<small>revision</small> 786 4. Jul 16