



Excellent Integrated System Limited

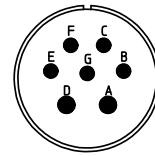
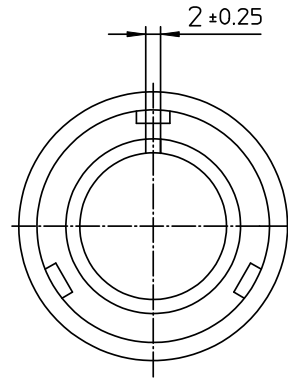
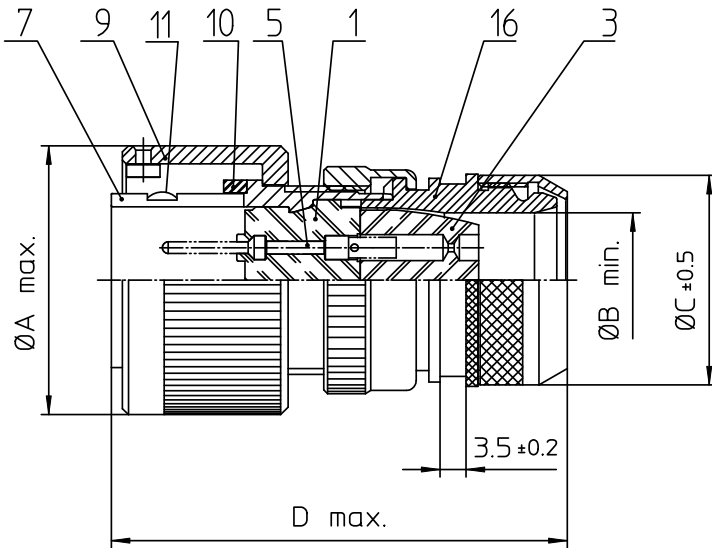
Stocking Distributor

Click to view price, real time Inventory, Delivery & Lifecycle Information:

[ITT Cannon, LLC](#)
[CA3106E18-9PB13](#)

For any questions, you can email us directly:

sales@integrated-circuit.com




NO.	MASSE / DIMENSION
A	36.5
B	14.6
C	28
D	70

NO.	BESCHREIBUNG / DESCRIPTION
1	ISOLIERKÖRPER STIFT / INSULATOR PIN
3	DICHTKÖRPER / GROMMET
5	KONTAKTSTIFT / CONTACT PIN
7	ZYLINDERGHÄUSE / BARREL
9	ÜBERWURFMUTTER / COUPLING NUT
10	DICHTRING FRONT / FRONT SEALING RING
11	SCHIRMKRANZ / SHIELDING BRAID
16	ENDGEHÄUSE GESCHIRMT / ENDBELL SHIELDED

Note: Due to an automatic nomenclature system, numbers generated may not be sequential.
Specification and Dimensions subject to change
Drawings illustrate normal insulator positioning

Material Specification:	
Shell Material:	Aluminium alloy
Shell Plating:	Olive drab chromate over cadmium (conductive)
Insulator Material:	CR-Elastomere
Contact Material:	Copper alloy
Contact Plating:	Hard silver

<p>all dimensions are in mm Dimensions without tolerance indications are general tolerances in acc. with DIN7168m</p>		<p>drawing for CUSTOMER</p>
 ITT <i>Engineered for life</i> <small>ITT CANNON GmbH D-71334 Weinstadt-Göppingen</small>	<p>description CA3106E18-9P-B-13 Plug, straight shielded Shielded with endbell for shielded braids & heat shrinkable boots Solder Cup / Pin / Layout: 18-9</p>	
	<p>© All rights reserved. Reproduction or issue to third in any form whenever is only permitted with written authorization of ITT Cannon</p>	<p>page 1/1</p>