



Excellent Integrated System Limited

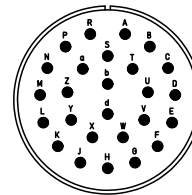
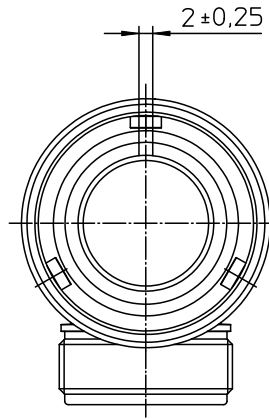
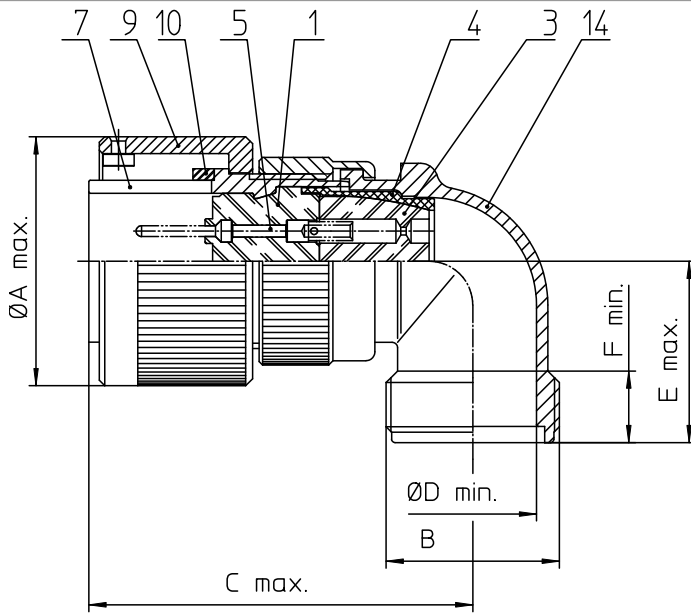
Stocking Distributor

Click to view price, real time Inventory, Delivery & Lifecycle Information:

[ITT Cannon, LLC](#)
[CA3108F28-12PBF80](#)

For any questions, you can email us directly:

sales@integrated-circuit.com



NO.	MASSE / DIMENSION
A	53.4
B	1 7/16-18UNEF-2A
C	66
D	30.4
E	34
F	9.4

NO.	BESCHREIBUNG / DESCRIPTION
1	ISOLIERKÖRPER STIFT / INSULATOR PIN
3	DICHTKÖRPER / GROMMET
4	ENDRING / ENDRING
5	KONTAKTSTIFT / CONTACT PIN
7	ZYLINDERGHÄUSE / BARREL
9	ÜBERWURFMUTTER / COUPLING NUT
10	DICHTRING FRONT / FRONT SEALING RING
14	F-ENDGEHÄUSE / F-ENDBELL

<p>Note: Due to an automatic nomenclature system, numbers generated may not be sequential.</p> <p>Specification and Dimensions subject to change Drawings illustrate normal insulator positioning</p>	
<p>Material Specification:</p> <p>Shell Material: Aluminium alloy Shell Plating: Olive drab chromate over cadmium (conductive) Insulator Material: CR-Elastomere Contact Material: Copper alloy Contact Plating: Hard silver</p>	

<p>all dimensions are in mm Dimensions without tolerance indications are general tolerances in acc. with DIN7168m</p> <p>ITT Engineered for life ITT CANON CORP. 5-71385 Wiesbaden/Germany</p> <p>© All rights reserved. Reproduction or use in any form without written authorization of ITT Cannon</p>	<p>description CA3108F28-12P-B-F80 Plug, 90° Endbell for flex tube AWG Crimp / Pin / Layout: 28-12</p>	<p>drawing for CUSTOMER</p> <p>page 1/1 revision 796.4, Jul 16</p>
---	--	--