



## **Excellent Integrated System Limited**

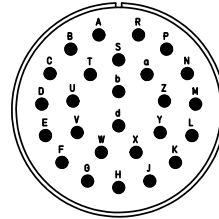
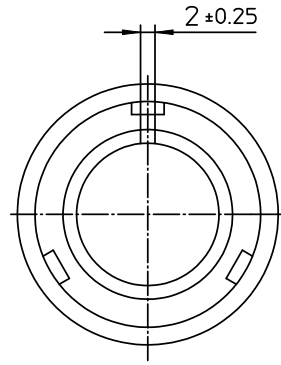
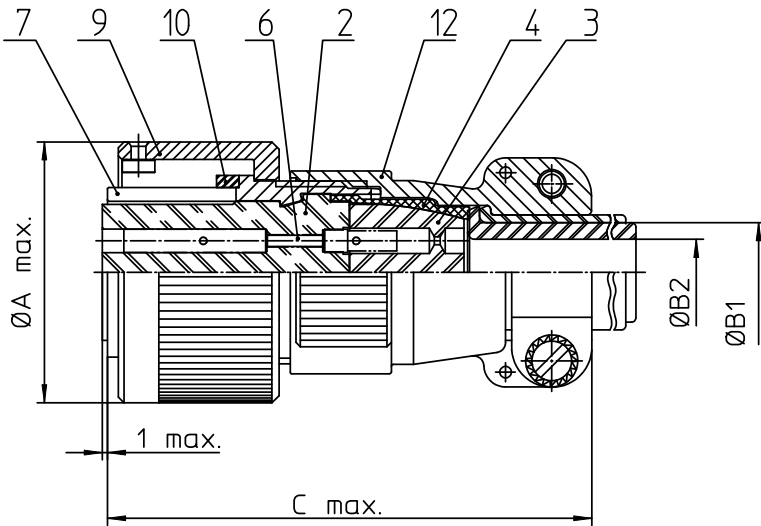
Stocking Distributor

Click to view price, real time Inventory, Delivery & Lifecycle Information:

[ITT Cannon, LLC](#)  
[CA3106E28-12SBF80A176](#)

For any questions, you can email us directly:

[sales@integrated-circuit.com](mailto:sales@integrated-circuit.com)





| NO. | MASSE / DIMENSION |
|-----|-------------------|
| A   | 53.4              |
| B1  | 21.5              |
| B2  | 16.6              |
| C   | 76                |

| NO. | BESCHREIBUNG / DESCRIPTION              |
|-----|---|
| 2   | ISOLIERKÖRPER BUCHSE / INSULATOR SOCKET |
| 3   | DICHTKÖRPER / GROMMET                   |
| 4   | ENDRING / ENDRING                       |
| 6   | KONTAKTBUCHSE / CONTACT SOCKET          |
| 7   | ZYLINDERGHÄUSE / BARREL                 |
| 9   | ÜBERWURFMUTTER / COUPLING NUT           |
| 10  | DICHTRING FRONT / FRONT SEALING RING    |
| 12  | ENDGEHÄUSE / ENDBELL                    |

Note: Due to an automatic nomenclature system, numbers generated may not be sequential.  
 Specification and Dimensions subject to change  
 Drawings illustrate normal insulator positioning

| Material Specification: |   |
|-------------------------|---|
| Shell Material:         | Aluminium alloy                               |
| Shell Plating:          | Olive drab chromate over cadmium (conductive) |
| Insulator Material:     | CR-Elastomere                                 |
| Contact Material:       | Copper alloy                                  |
| Contact Plating:        | Gold 0,5 µm                                   |

| all dimensions are in mm   |                                    | drawing for   |                           |
|--|------------------------------------|---|---------------------------|
| Dimensions without tolerance indications are general tolerances in acc. with DIN7168m  |                                    | CUSTOMER  |                           |
| <br><b>ITT</b><br>Engineered for life<br><small>ITT CANNON GmbH<br/>           D-71284 Wernau/Deutschland</small> | description                        | CA3106E28-12S-B-F80-A176  |                           |
|  |                                    | Plug, straight  |                           |
|  |                                    | Endbell with clamp and bushing  |                           |
|  | AWG Crimp / Socket / Layout: 28-12 |   |                           |
| <small>© All rights reserved. Reproduction or issue to third in any form<br/>           whatever is only permitted with written authorization of ITT Cannon</small>                                    |                                    |  page<br>1/1 | revision<br>786 4. Jul 16 |