



## **Excellent Integrated System Limited**

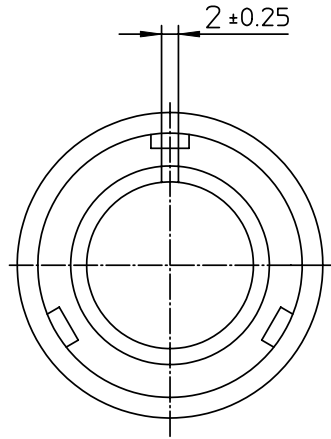
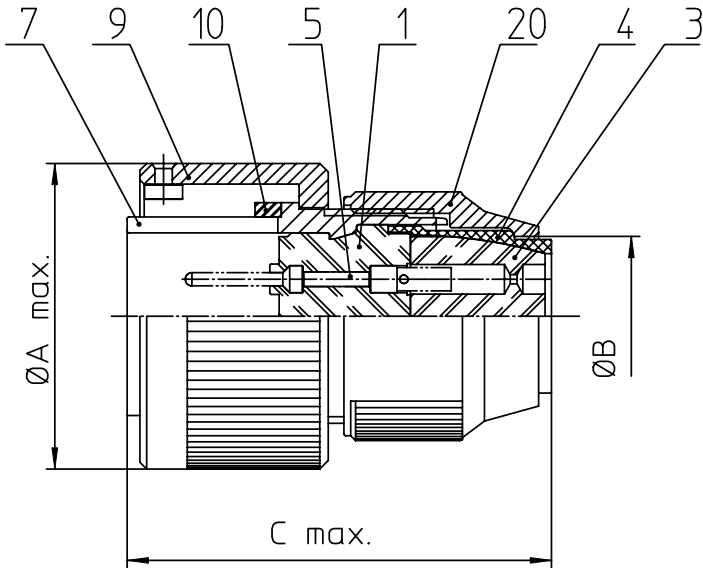
Stocking Distributor

Click to view price, real time Inventory, Delivery & Lifecycle Information:

[ITT Cannon, LLC](#)  
[CA3106R32-6PB](#)

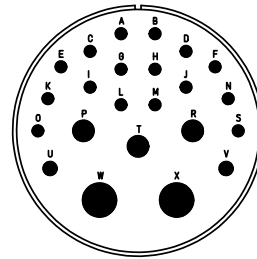
For any questions, you can email us directly:

[sales@integrated-circuit.com](mailto:sales@integrated-circuit.com)



| NO. | MASSE / DIMENSION |
|-----|-------------------|
| A   | 60.1              |
| B   | 38.5              |
| C   | 53                |

| NO. | BESCHREIBUNG / DESCRIPTION           |
|-----|--------------------------------------|
| 1   | ISOLIERKÖRPER STIFT / INSULATOR PIN  |
| 3   | DICHTKÖRPER / GROMMET                |
| 4   | ENDRING / ENDRING                    |
| 5   | KONTAKTSTIFT/ CONTACT PIN            |
| 7   | ZYLINDERGHÄUSE / BARREL              |
| 9   | ÜBERWURFMUTTER / COUPLING NUT        |
| 10  | DICHTRING FRONT / FRONT SEALING RING |
| 20  | KURZES ENDGEHÄUSE/SHORT ENDBELL      |



Note: Due to an automatic nomenclature system, numbers generated may not be sequential.  
Specification and Dimensions subject to change  
Drawings illustrate normal insulator positioning

|                         |   |
|-------------------------|---|
| Material Specification: |   |
| Shell Material:         | Aluminium alloy                               |
| Shell Plating:          | Olive drab chromate over cadmium (conductive) |
| Insulator Material:     | CR-Elastomere                                 |
| Contact Material:       | Copper alloy                                  |
| Contact Plating:        | Hard silver                                   |

all dimensions are in mm  
Dimensions without tolerance indications are general tolerances in acc. with DIN7168m  
drawing for CUSTOMER



description CA3106R32-6P-B  
Plug, straight  
Shortened light-weight endbell without cable clamp  
Solder Cup / Pin / Layout: 32-6

© All rights reserved. Reproduction or issue to third in any form  
whenever is only permitted with written authorization of ITT Cannon  
page 1/1  
revision 786 4. Jul 16