



Distributor of ITT Cannon, LLC: Excellent Integrated System Limited

Datasheet of CA3108F28-16SB - CONN PLUG 20POS RT ANG W/SKTS

Contact us: sales@integrated-circuit.com Website: www.integrated-circuit.com

Excellent Integrated System Limited

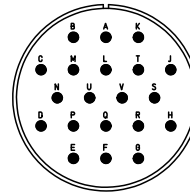
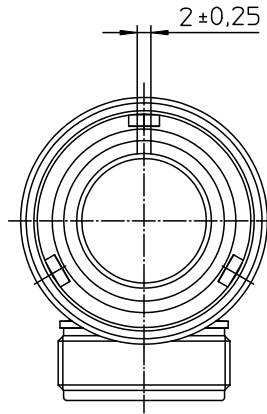
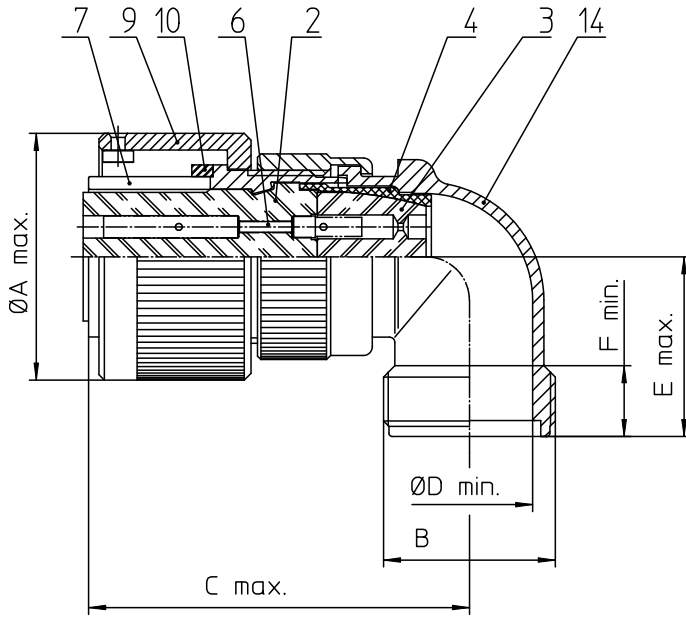
Stocking Distributor

Click to view price, real time Inventory, Delivery & Lifecycle Information:

[ITT Cannon, LLC](#)
[CA3108F28-16SB](#)

For any questions, you can email us directly:

sales@integrated-circuit.com



NO.	BESCHREIBUNG / DESCRIPTION
2	ISOLIERKÖRPER BUCHSE / INSULATOR SOCKET
3	DICHTKÖRPER / GROMMET
4	ENDRING / ENDRING
6	KONTAKTBUCHSE / CONTACT SOCKET
7	ZYLINDERGHÄUSE / BARREL
9	ÜBERWURFMUTTER / COUPLING NUT
10	DICHTRING FRONT / FRONT SEALING RING
14	F-ENDGEHÄUSE / F-ENDBELL

NO.	MASSE / DIMENSION
A	53.4
B	1 7/16-18UNEF-2A
C	66
D	30.4
E	34
F	9.4

Note: Due to an automatic nomenclature system, numbers generated may not be sequential.

Specification and Dimensions subject to change
Drawings illustrate normal insulator positioning

Material Specification:

Shell Material: Aluminium alloy
Shell Plating: Olive drab chromate over cadmium (conductive)
Insulator Material: CR-Elastomere
Contact Material: Copper alloy
Contact Plating: Hard silver

all dimensions are in mm
Dimensions without tolerance indications are general tolerances in acc. with DIN7180m

description CA3108F28-16S-B
Plug, 90°
Endbell for flex tube
Solder Cup / Socket / Layout: 28-16

drawing for CUSTOMER

ITT
Engineered for life
ITT CANADA CORP.
5 - 7124 Westside Drive

© All rights reserved. Reproduction or use in any form without written authorization of ITT Cannon

page 1/1
revision 786 4. Jul 16