

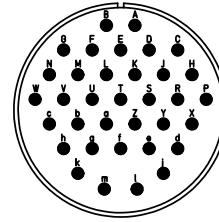
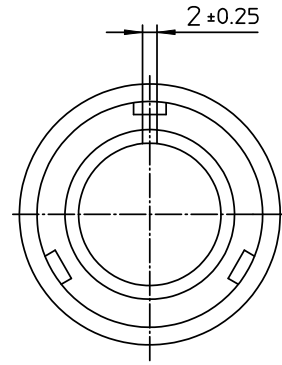
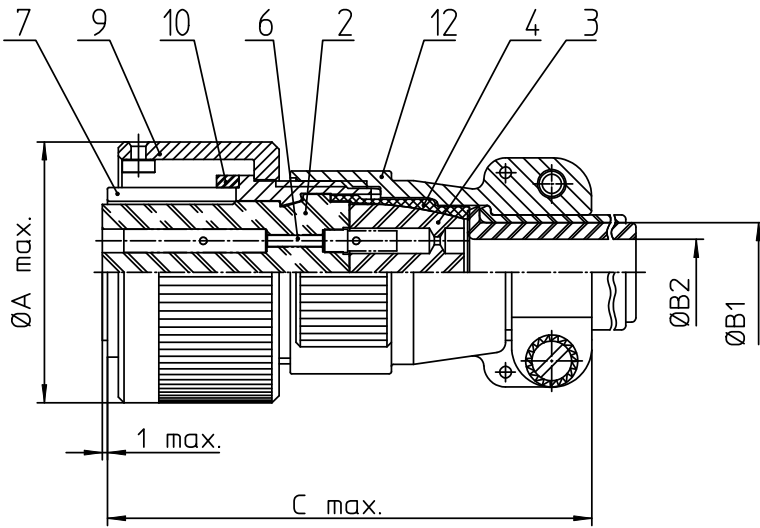
Excellent Integrated System Limited

Stocking Distributor

Click to view price, real time Inventory, Delivery & Lifecycle Information:

[ITT Cannon, LLC](#)
[CA3106E28-15SBF80A176A232](#)

For any questions, you can email us directly:
sales@integrated-circuit.com





NO.	MASSE / DIMENSION
A	53.4
B1	21.5
B2	16.6
C	76

NO.	BESCHREIBUNG / DESCRIPTION
2	ISOLIERKÖRPER BUCHSE / INSULATOR SOCKET
3	DICHTKÖRPER / GROMMET
4	ENDRING / ENDRING
6	KONTAKTBUCHSE / CONTACT SOCKET
7	ZYLINDERGHÄUSE / BARREL
9	ÜBERWURFMUTTER / COUPLING NUT
10	DICHTRING FRONT / FRONT SEALING RING
12	ENDGEHÄUSE / ENDBELL

Note: Due to an automatic nomenclature system, numbers generated may not be sequential.
 Specification and Dimensions subject to change
 Drawings illustrate normal insulator positioning

Material Specification:	
Shell Material:	Aluminium alloy
Shell Plating:	Zinc cobalt, black (conductive)
Insulator Material:	CR-Elastomere
Contact Material:	Copper alloy
Contact Plating:	Gold 0,5 µm

all dimensions are in mm		Dimensions without tolerance indications are general tolerances in acc. with DIN7168m	drawing for
 Engineered for life ITT CANNON GmbH D-71294 Vörscheid/Germany	description	CA3106E28-15S-B-F80-A176-A232	CUSTOMER
		Plug, straight Endbell with clamp and bushing AWG Crimp / Socket / Layout: 28-15	
© All rights reserved. Reproduction or issue to third in any form whatever is only permitted with written authorization of ITT Cannon		 page 1/1	revision 786 4. Jul 16