



Excellent Integrated System Limited

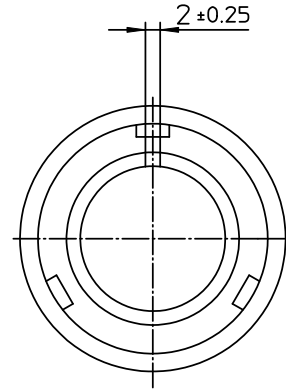
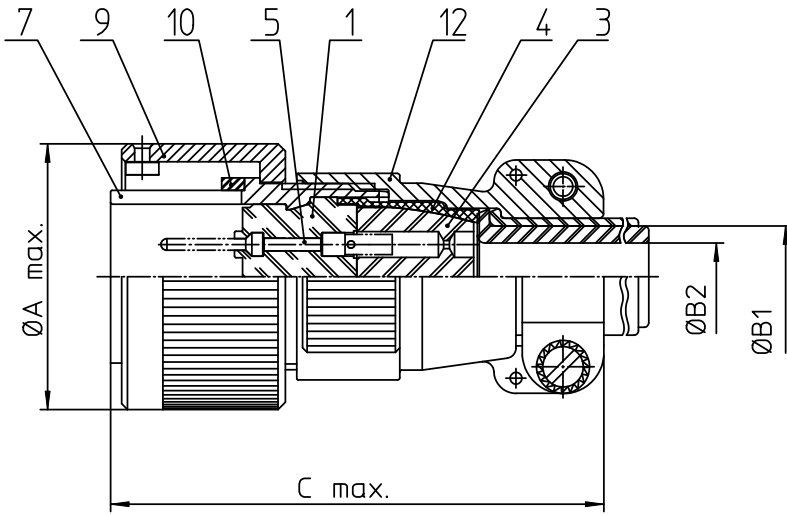
Stocking Distributor

Click to view price, real time Inventory, Delivery & Lifecycle Information:

[ITT Cannon, LLC](#)
[CA3106E36-10PXBF80A176](#)

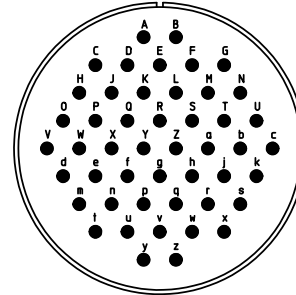
For any questions, you can email us directly:

sales@integrated-circuit.com




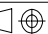
NO.	MASSE / DIMENSION
A	66.3
B1	31.8
B2	26.8
C	76

NO.	BESCHREIBUNG / DESCRIPTION
1	ISOLIERKÖRPER STIFT / INSULATOR PIN
3	DICHTKÖRPER / GROMMET
4	ENDRING / ENDRING
5	KONTAKTSTIFT / CONTACT PIN
7	ZYLINDERGHÄUSE / BARREL
9	ÜBERWURFMUTTER / COUPLING NUT
10	DICHTRING FRONT / FRONT SEALING RING
12	ENDGEHÄUSE / ENDBELL



Note: Due to an automatic nomenclature system, numbers generated may not be sequential.
 Specification and Dimensions subject to change
 Drawings illustrate normal insulator positioning

Material Specification:	
Shell Material:	Aluminium alloy
Shell Plating:	Olive drab chromate over cadmium (conductive)
Insulator Material:	CR-Elastomere
Contact Material:	Copper alloy
Contact Plating:	Gold 0,5 µm

all dimensions are in mm Dimensions without tolerance indications are general tolerances in acc. with DIN7168m		drawing for CUSTOMER
 ITT <i>Engineered for life</i> <small>ITT CANNON GERMANY 3106E36-10PXB-F80A176</small>	description CA3106E36-10PXB-F80-A176	
	Plug, straight Endbell with clamp and bushing AWG Crimp / Pin / Layout: 36-10	
<small>© All rights reserved. Reproduction or use to third in any form whatever is only permitted with written authorization of ITT Cannon</small>		page 1/1 revision 786 4. Jul 16