



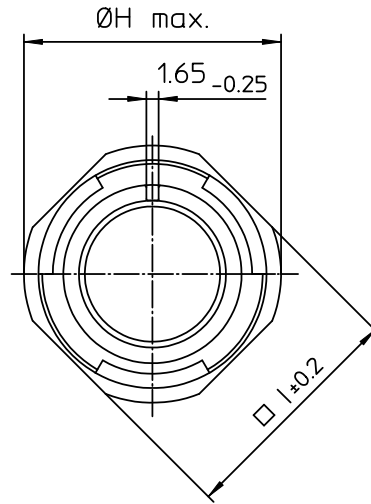
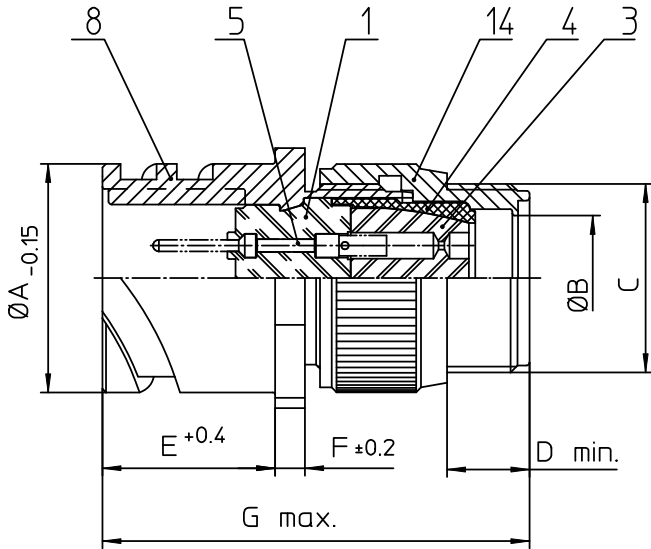
Excellent Integrated System Limited

Stocking Distributor

Click to view price, real time Inventory, Delivery & Lifecycle Information:

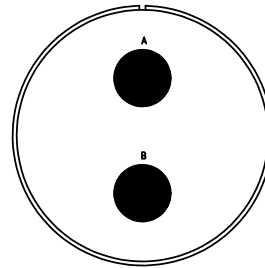
[ITT Cannon, LLC](#)
[CA3101F32-5PBF80](#)

For any questions, you can email us directly:
sales@integrated-circuit.com




| NO. | MASSE / DIMENSION |
|-----|-------------------|
| A | 53.4 |
| B | 32.5 |
| C | 1 3/4-18UNS-2A |
| D | 11 |
| E | 24.05 |
| F | 4 |
| G | 64 |
| H | 57.1 |
| I | 54 |

| NO. | BESCHREIBUNG / DESCRIPTION |
|-----|-------------------------------------|
| 1 | ISOLIERKÖRPER STIFT / INSULATOR PIN |
| 3 | DICHTKÖRPER / GROMMET |
| 4 | ENDRING / ENDRING |
| 5 | KONTAKTSTIFT/ CONTACT PIN |
| 8 | DOSENGEHÄUSE / SHELL |
| 14 | F-ENDGEHÄUSE / F-ENDBELL |



Note: Due to an automatic nomenclature system, numbers generated may not be sequential.
Specification and Dimensions subject to change
Drawings illustrate normal insulator positioning

| Material Specification: | |
|-------------------------|---|
| Shell Material: | Aluminium alloy |
| Shell Plating: | Olive drab chromate over cadmium (conductive) |
| Insulator Material: | CR-Elastomere |
| Contact Material: | Copper alloy |
| Contact Plating: | Hard silver |

| all dimensions are in mm Dimensions without tolerance indications are general tolerances in acc. with DIN7168m | | drawing for CUSTOMER |
|---|---------------------------|------------------------------------|
|  ITT Engineered for life <small>ITT CANNON GERMANY D-73308 Winnenden Germany</small> | description | CA3101F32-5P-B-F80 |
| | | Cable connecting plug |
| | | Endbell for flex tube |
| | AWG Crimp / Pin / Layout: | 32-5 |
| <small>© All rights reserved. Reproduction or use in any form whatever is only permitted with written authorization of ITT Cannon.</small> | | page 1/1 revision 786 4. Jul 16 |