



## **Excellent Integrated System Limited**

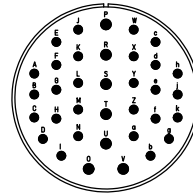
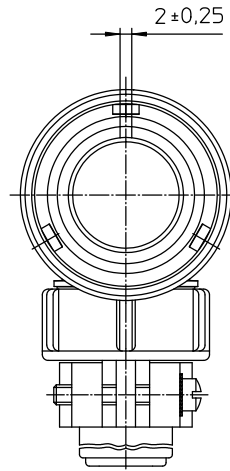
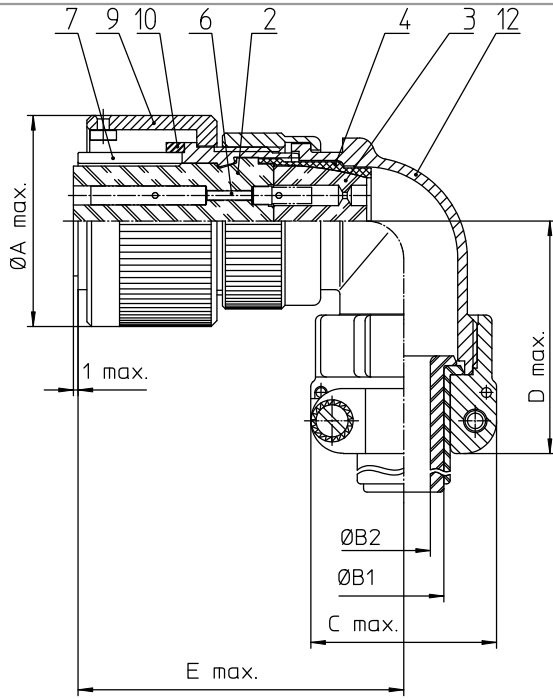
Stocking Distributor

Click to view price, real time Inventory, Delivery & Lifecycle Information:

[ITT Cannon, LLC](#)  
[CA3108E32-7SB](#)

For any questions, you can email us directly:


[sales@integrated-circuit.com](mailto:sales@integrated-circuit.com)



NO.	MASSE / DIMENSION
A	60.1
B1	26.8
B2	21.5
C	51.7
D	66
E	72

NO.	BESCHREIBUNG / DESCRIPTION
2	ISOLIERKÖRPER BUCHSE / INSULATOR SOCKET
3	DICHTKÖRPER / GROMMET
4	ENDRING / ENDRING
6	KONTAKTBUCHSE / CONTACT SOCKET
7	ZYLINDERGHÄUSE / BARREL
9	ÜBERWURFMUTTER / COUPLING NUT
10	DICHTRING FRONT / FRONT SEALING RING
12	ENDGEHÄUSE / ENDBELL

Note: Due to an automatic nomenclature system, numbers generated may not be sequential. Specification and Dimensions subject to change. Drawings illustrate normal insulator positioning.
<b>Material Specification:</b>
Shell Material: Aluminium alloy
Shell Plating: Olive drab chromate over cadmium (conductive)
Insulator Material: CR-Elastomere
Contact Material: Copper alloy
Contact Plating: Hard silver

<b>all dimensions are in mm</b> Dimensions without tolerance indications are general tolerances in acc. with DIN 7180	<b>drawing for</b> CUSTOMER
 Engineered for life ITT Cannon www.ittcannon.com	<b>description</b> CA3108E32-7S-B Plug, 90° Endbell with clamp and bushing Soldier Cup / Socket / Layout: 32-7
<small>© All rights reserved. Reproduction or issue to third party without the written permission of ITT Cannon.</small>	<small>page 1/1</small> <small>revision 786-4 Jul 18</small>