



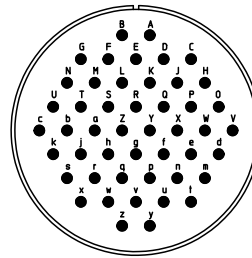
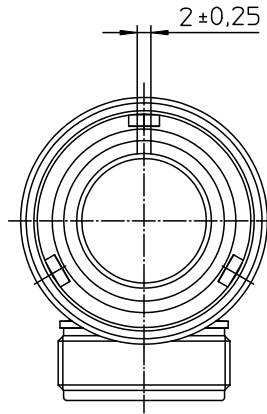
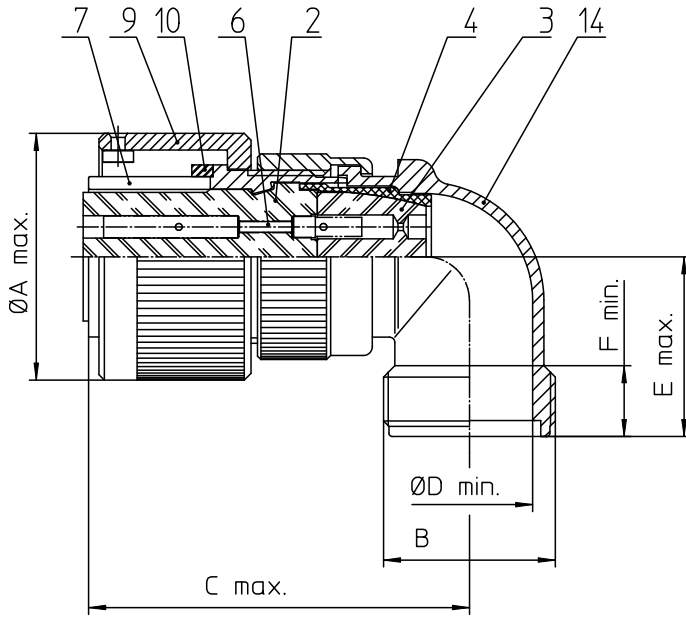
## **Excellent Integrated System Limited**

Stocking Distributor

Click to view price, real time Inventory, Delivery & Lifecycle Information:

[ITT Cannon, LLC](#)  
[CA3108F36-10SBF80](#)

For any questions, you can email us directly:  
[sales@integrated-circuit.com](mailto:sales@integrated-circuit.com)



| NO. | BESCHREIBUNG / DESCRIPTION              |
|-----|---|
| 2   | ISOLIERKÖRPER BUCHSE / INSULATOR SOCKET |
| 3   | DICHTKÖRPER / GROMMET                   |
| 4   | ENDRING / ENDRING                       |
| 6   | KONTAKTBUCHSE / CONTACT SOCKET          |
| 7   | ZYLINDERGHÄUSE / BARREL                 |
| 9   | ÜBERWURFMUTTER / COUPLING NUT           |
| 10  | DICHTRING FRONT / FRONT SEALING RING    |
| 14  | F-ENDGEHÄUSE / F-ENDBELL                |

| NO. | MASSE / DIMENSION |
|-----|-------------------|
| A   | 66.3              |
| B   | 2-18UNS-2A        |
| C   | 75                |
| D   | 43.5              |
| E   | 45                |
| F   | 12.6              |

Note: Due to an automatic nomenclature system, numbers generated may not be sequential.

Specification and Dimensions subject to change  
Drawings illustrate normal insulator positioning

Material Specification:

Shell Material: Aluminium alloy  
Shell Plating: Olive drab chromate over cadmium (conductive)  
Insulator Material: CR-Elastomere  
Contact Material: Copper alloy  
Contact Plating: Hard silver

all dimensions are in mm  
Dimensions without tolerance indications are general tolerances in acc. with DIN7180m

drawing for CUSTOMER

ITT  
Engineered for life  
ITT CANADA CORP.  
5 - 7124 Westside Drive

description CA3108F36-10S-B-F80  
Plug, 90°  
Endbell for flex tube  
AWG Crimp / Socket / Layout: 36-10

© All rights reserved. Reproduction or use in any form without prior written authorization of ITT Cannon

page 1/1  
revision 786 4. Jul 16