



## **Excellent Integrated System Limited**

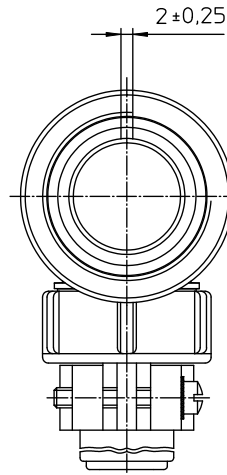
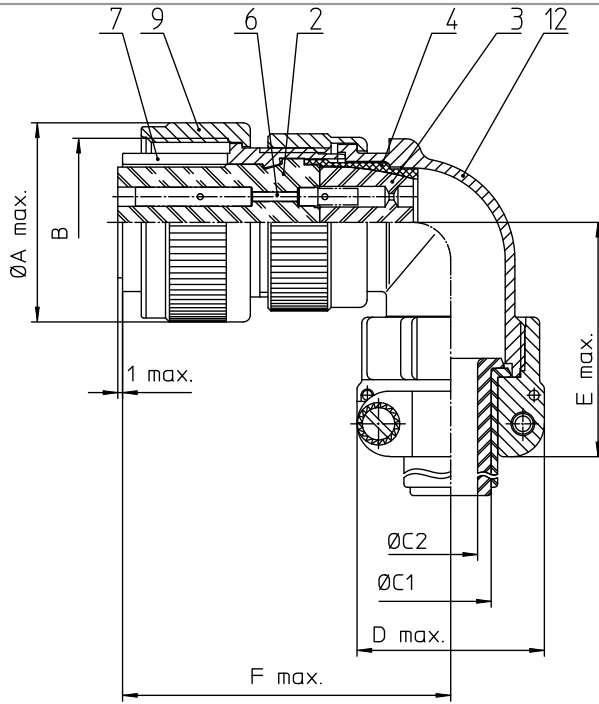
Stocking Distributor

Click to view price, real time Inventory, Delivery & Lifecycle Information:

[ITT Cannon, LLC](#)  
[CA3108E36-10S](#)

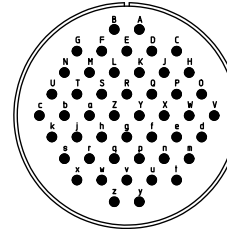
For any questions, you can email us directly:

[sales@integrated-circuit.com](mailto:sales@integrated-circuit.com)



NO.	MASSE / DIMENSION
A	62,8
B	2 1/4-16UN-2B
C1	31,8
C2	26,8
D	58
E	69
F	75

NO.	BESCHREIBUNG / DESCRIPTION
2	ISOLIERKÖRPER BÜCHSE / INSULATOR SOCKET
3	DICHTKÖRPER / GROMMET
4	ENDRING / ENDRING
6	KONTAKTBÜCHSE / CONTACT SOCKET
7	ZYLINDERGHÄUSE / BARREL
9	ÜBERWURFMUTTER / COUPLING NUT
12	ENDGEHÄUSE / ENDBELL



<p>Note: Due to an automatic nomenclature system, numbers generated may not be sequential.</p> <p>Specification and Dimensions subject to change Drawings illustrate normal insulator positioning</p>	
<p>Material Specification:</p>	
Shell Material:	Aluminium alloy
Shell Plating:	Olive drab chromate coating over cadmium plating
Insulator Material:	Neoprene
Contact Material:	Copper alloy
Contact Plating:	Hard silver

all dimensions are in mm  
Dimensions without tolerance indications are general tolerances in acc. with DIN7158m

drawing for  
CUSTOMER

**ITT**  
Engineered for life  
ITT Cannon Group  
17108 Woodbridge, Virginia

description CA3108E36-10S  
Plug 90°  
Endbell with clamp and bushing  
Solder Cup / Socket / Layout: 36-10

© All rights reserved. Reproduction or reuse in any form without the prior written authorization of ITT Cannon

page 1/1  
revision 377.3, Jul 16