

Excellent Integrated System Limited

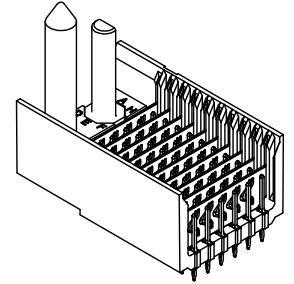
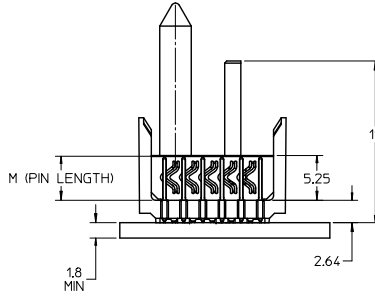
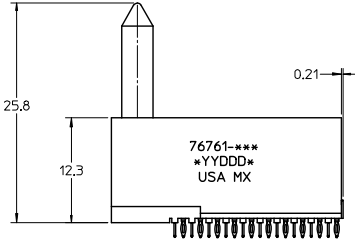
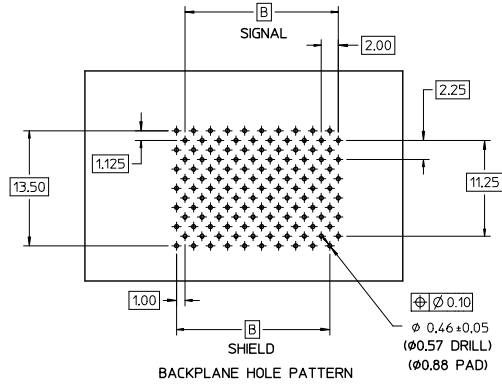
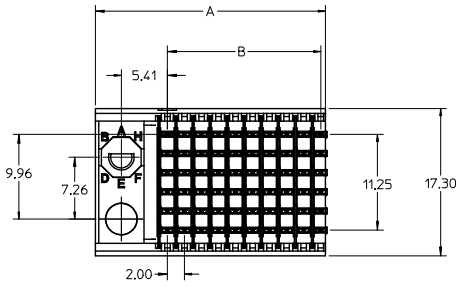
Stocking Distributor

Click to view price, real time Inventory, Delivery & Lifecycle Information:

[Molex Connector Corporation](#)
[0767618501](#)

For any questions, you can email us directly:

sales@integrated-circuit.com



NOTES:

1. MATERIALS:
HOUSING - LIQUID CRYSTAL POLYMER (LCP)
GLASS FILLED, UL94V-0, BLACK
SIGNAL PIN AND SHIELD - COPPER ALLOY
2. FINISHES:
CONTACT AREA - SELECTIVE GOLD (Au)
PCB TAILS - SELECTIVE MATTE TIN (Sn)
3. THIS PART CONFORMS TO MOLEX PRODUCT SPECIFICATION PS-74031-999.
4. FOR MIXED CONTACT LENGTH CONTACT MOLEX FOR AVAILABILITY.
5. FOR SPECIFIC MATERIAL NUMBERS AND MATING INFORMATION REFER TO SHEET 2.
6. PACKAGE PER PK-74058-003.
7. ASSEMBLY WILL BE MARKED WITH P/N AND DATE CODE WITH LASER MARK ON SIDE OF HOUSING
8. MAPS (MOLEX ADVANCED PLATING SYSTEM).

THE PRIMARY CARTON WITH A LABEL STATING "ELV AND RoHS COMPLAINT" IS LEAD FREE. CARTONS WITHOUT THIS LABEL MAY CONTAIN LEAD.

LEAD FREE CONVERSION EC NO: UCP/2015-0687 DRAWING NO: 2012/08/27 CHK: KIMOLFE 2012/11/26 APPR: SMILLER 2012/12/14 REV:	QUALITY SYMBOLS ∇=0 ∇=0 ∇=0	GENERAL TOLERANCES (UNLESS SPECIFIED)		DIMENSION STYLE MM ONLY		SCALE 2:1	DESIGN UNITS METRIC	THIRD ANGLE PROJECTION		
		4 PLACES ± --- ± ---	3 PLACES ± --- ± ---	2 PLACES ± 0.15 ± ---	1 PLACE ± 0.25 ± ---	0 PLACE ± --- ± ---	DRAWN BY JJONIAK	DATE 2008/07/09	CHECKED BY JJONIAK	DATE 2008/07/09
		ANGULAR ±1/2°		MATERIAL NO. SEE SHT.2		DOCUMENT NO. SD-76761-001		SHEET NO. 1 OF 2		
		DRAFT WHERE APPLICABLE MUST REMAIN WITHIN DIMENSIONS		THIS DRAWING CONTAINS INFORMATION THAT IS PROPRIETARY TO MOLEX INCORPORATED AND SHOULD NOT BE USED WITHOUT WRITTEN PERMISSION						

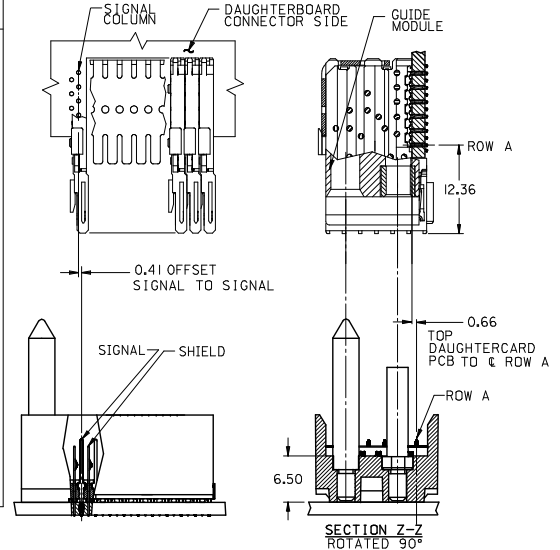
M/N 76761-()	**0*	**1*	**2*	**3*	**4*	**5*	**6*	**7*	**8*
KEYING PIN ORIENTATION									

76761 - * * * *

NUMBER OF COLUMNS/PLATING
 10 = 10 COLUMN MATTE TIN (FORMERLY TIN/LEAD)
 25 = 25 COLUMN MATTE TIN (FORMERLY TIN/LEAD)
 60 = 10 COLUMN MATTE TIN (MAPS)
 75 = 25 COLUMN MATTE TIN (MAPS)
 90 = 10 COLUMN MATTE TIN
 85 = 25 COLUMN MATTE TIN

CONTACT LOAD (PIN LENGTH)
 1 & 6 = 4.75
 2 & 7 = 6.25
 3 & 8 = 4.25
 4 & 9 = 5.15

PART NUMBER	COLUMN	NUMBER OF SIGNAL PIN	NUMBER OF SHIELD	A	B	M	GOLD THICKNESS MICROMETER	TIN THICKNESS MICROMETER
76761-60*1	10	60	10	27.00	18.00	4.75	0.25 MAPS	0.76-1.52
76761-*0*1							0.76	
76761-*0*6							1.27	
76761-75*1	25	150	25	57.00	48.00	6.25	0.25 MAPS	0.76-1.52
76761-*5*1							0.76	
76761-*5*6							1.27	
76761-60*2	10	60	10	27.00	18.00	4.25	0.25 MAPS	0.76-1.52
76761-*0*2							0.76	
76761-*0*7							1.27	
76761-75*2	25	150	25	57.00	48.00	5.15	0.25 MAPS	0.76-1.52
76761-*5*2							0.76	
76761-*5*7							1.27	
76761-60*3	10	60	10	27.00	18.00	5.15	0.25 MAPS	0.76-1.52
76761-*0*3							0.76	
76761-*0*8							1.27	
76761-75*3	25	150	25	57.00	48.00	4.25	0.25 MAPS	0.76-1.52
76761-*5*3							0.76	
76761-*5*8							1.27	
76761-60*4	10	60	10	27.00	18.00	4.75	0.25 MAPS	0.76-1.52
76761-*0*4							0.76	
76761-*0*9							1.27	
76761-75*4	25	150	25	57.00	48.00	5.15	0.25 MAPS	0.76-1.52
76761-*5*4							0.76	
76761-*5*9							1.27	



SEE SHEET 1 EC NO: UCP2013-0687 DRAWING NO: 2012/08/27 CHKD: MULLER APPR: MILLER 2012/11/26 2012/12/14	QUALITY SYMBOLS ∇=0 ∇=0 ∇=0	GENERAL TOLERANCES (UNLESS SPECIFIED)		DIMENSION STYLE		SCALE	DESIGN UNITS	THIRD ANGLE PROJECTION	
				MM ONLY		1:1	METRIC		
		4 PLACES	±	---	---	DRAWN BY	DATE	TITLE	
		3 PLACES	±	---	---	JJONI/AK	2008/07/09	VHDM H-SERIES 6 ROW BACKPLANE SIGNAL END	
		2 PLACES	±	0.15	---	JJONI/AK	2008/07/09	molex	
1 PLACE	±	0.25	---	APPROVED BY	DATE	DOCUMENT NO.	SHEET NO.		
0 PLACE	±	---	---	MILLER	2010/03/09	SD-76761-001	2 OF 2		
ANGULAR ±1/2°		SEE TABLE		THIS DRAWING CONTAINS INFORMATION THAT IS PROPRIETARY TO MOLEX INCORPORATED AND SHOULD NOT BE USED WITHOUT WRITTEN PERMISSION					
DRAFT WHERE APPLICABLE MUST REMAIN WITHIN DIMENSIONS									