



## **Excellent Integrated System Limited**

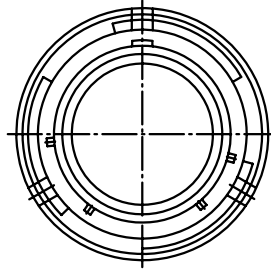
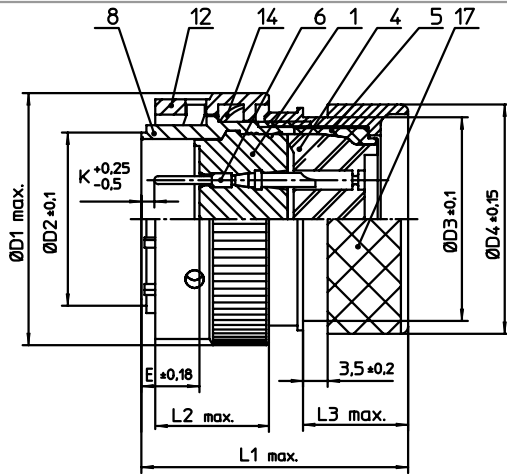
Stocking Distributor

Click to view price, real time Inventory, Delivery & Lifecycle Information:

[ITT Cannon, LLC](#)  
[KPT6E12-10PDN](#)

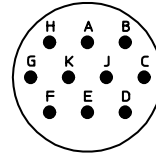
For any questions, you can email us directly:

[sales@integrated-circuit.com](mailto:sales@integrated-circuit.com)



| NO. | MASSE / DIMENSION |
|-----|-------------------|
| D1  | 26.5              |
| D2  | 15                |
| D3  | 21.2              |
| D4  | 23.6              |
| E   | 8.02              |
| K   | 2.16              |
| L1  | 36                |
| L2  | 15.9              |
| L3  | 12.2              |

| NO. | BESCHREIBUNG / DESCRIPTION          |
|-----|-------------------------------------|
| 1   | ISOLIERKÖRPER STIFT / INSULATOR PIN |
| 4   | DICHTKÖRPER / GROMMET               |
| 5   | ENDRING / ENDRING                   |
| 6   | KONTAKT STIFT / CONTACT PIN         |
| 8   | GEHÄUSE / RECEPTACLE                |
| 12  | ÜBERWURFMUTTER / COUPLING NUT       |
| 14  | WELLFEDER / WASHER                  |
| 17  | ADAPTER / ADAPTER                   |



Note: Due to an automatic nomenclature system, numbers generated may not be sequential.  
Specification and Dimensions subject to change  
Drawings illustrate normal insulator positioning

| Material Specification: |  |
|-------------------------|--|
| Shell Material:         | Aluminium alloy                          |
| Shell Plating:          | Olive drab chromate over cadmium plating |
| Insulator Material:     | Polychloroprene                          |
| Contact Material:       | Copper alloy, gold plated                |
| Contact Plating:        | Copper alloy, gold plated                |

all dimensions are in mm  
Dimensions without tolerance indications are general tolerances in acc. with DIN7168m

drawing for  
CUSTOMER



description KPT6E1210PDN  
Straight plug  
Shrink boot adapter  
Solder Cup / Pin / Layout: 12-10

© All rights reserved. Reproduction or issue to third in any form  
whenever is only permitted with written authorization of ITT Cannon

page 1/1

revision 1013.5. Jul 16